

**FANTIC
FMOTOR**

**TRIAL 300
FM403**


catalogo parti di ricambio

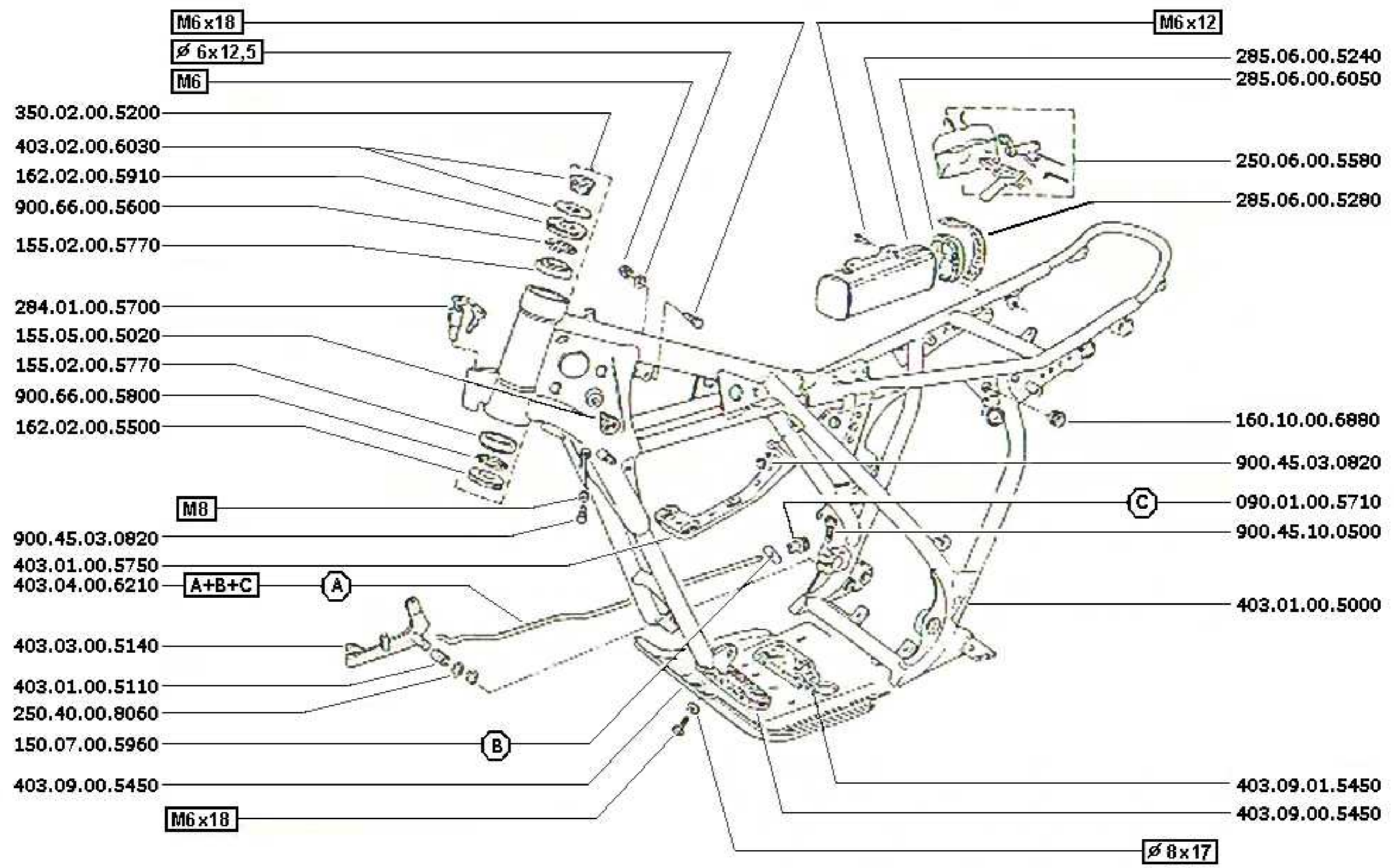


**FANTIC
FMOTOR**

B1

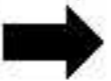
2 - 1984		

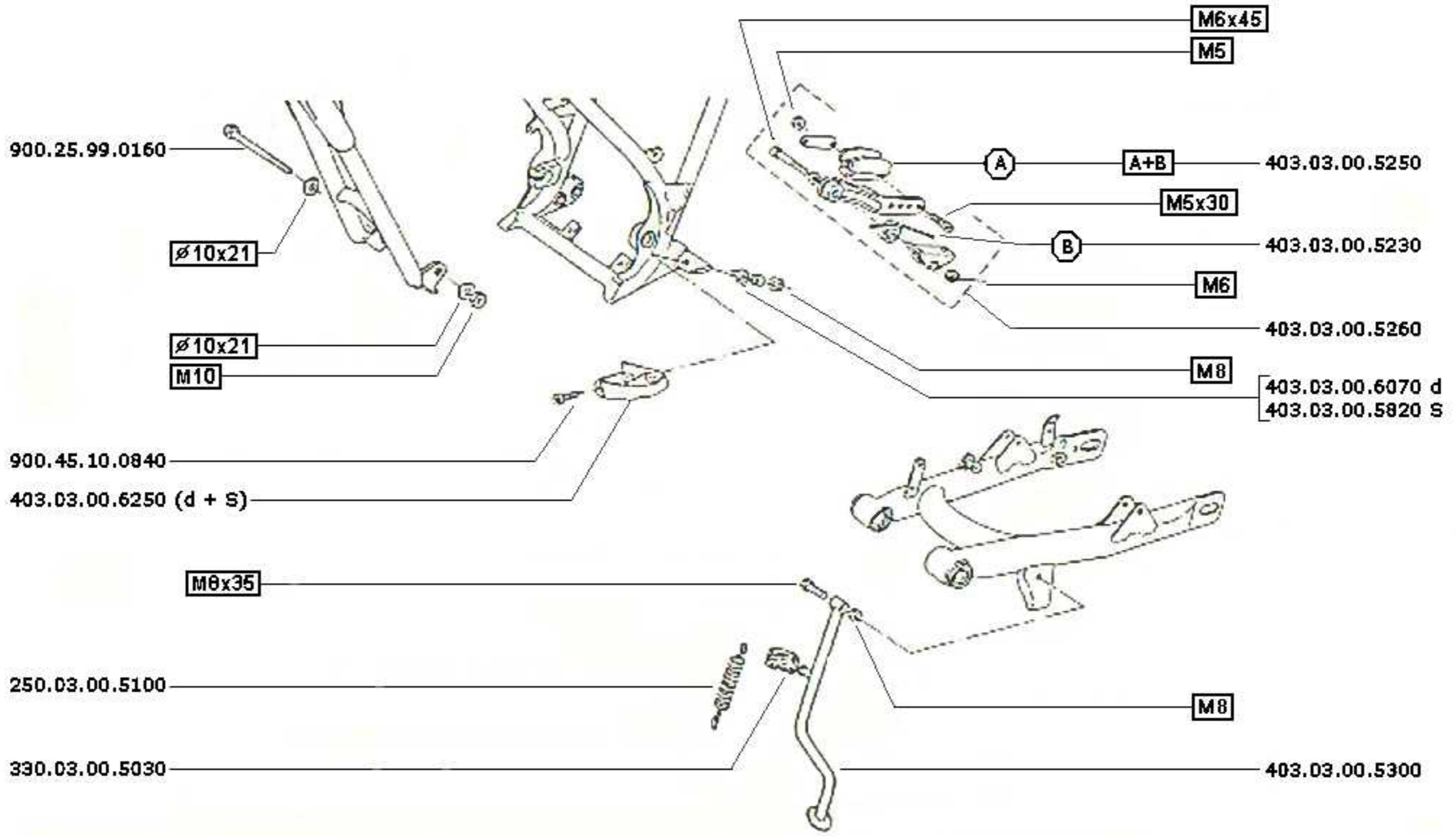
34001001 



B5

2 - 1984		

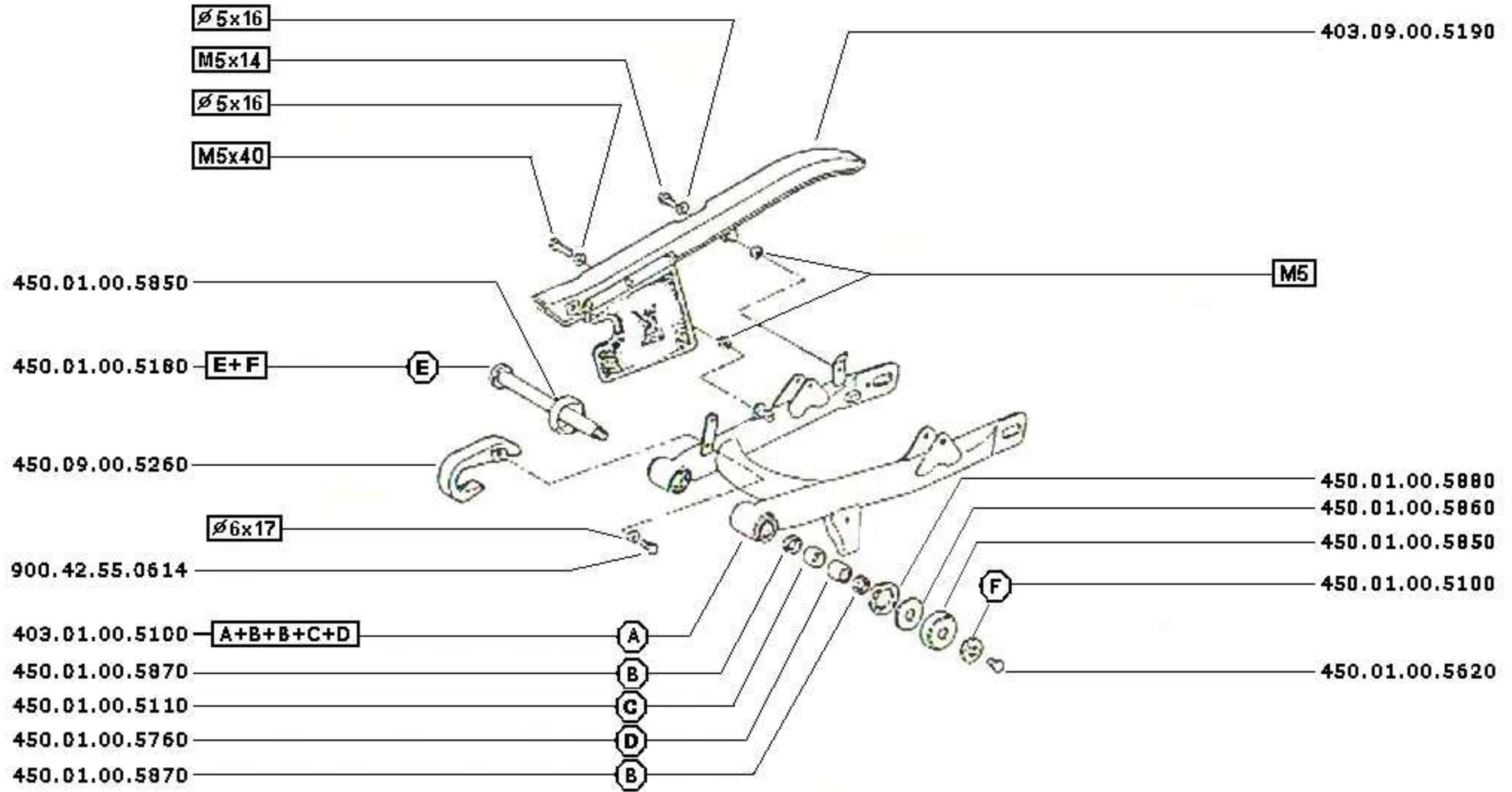
34001001 



B9

2 - 1984		

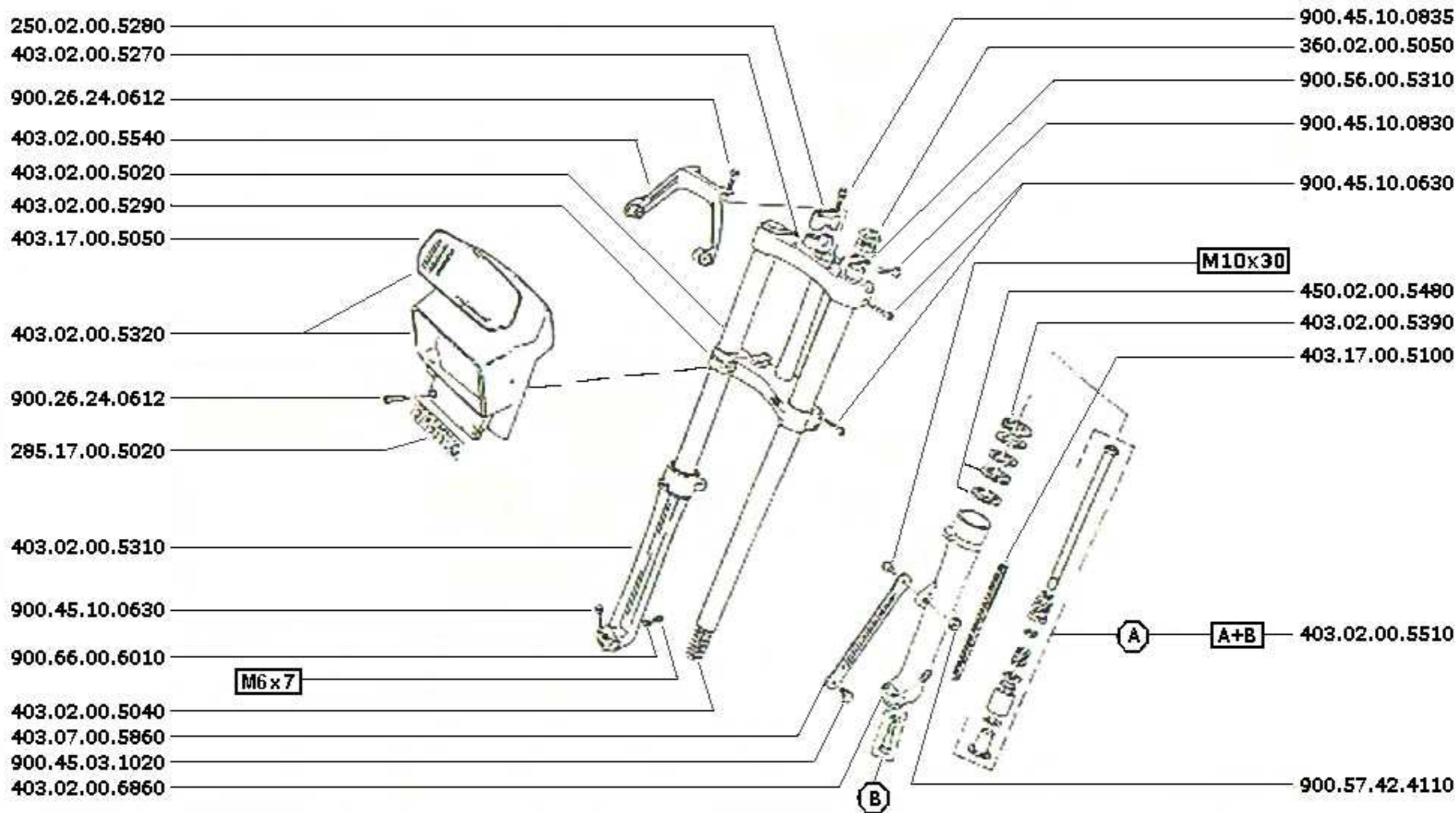
34001001



B13

2 - 1984		


34001001

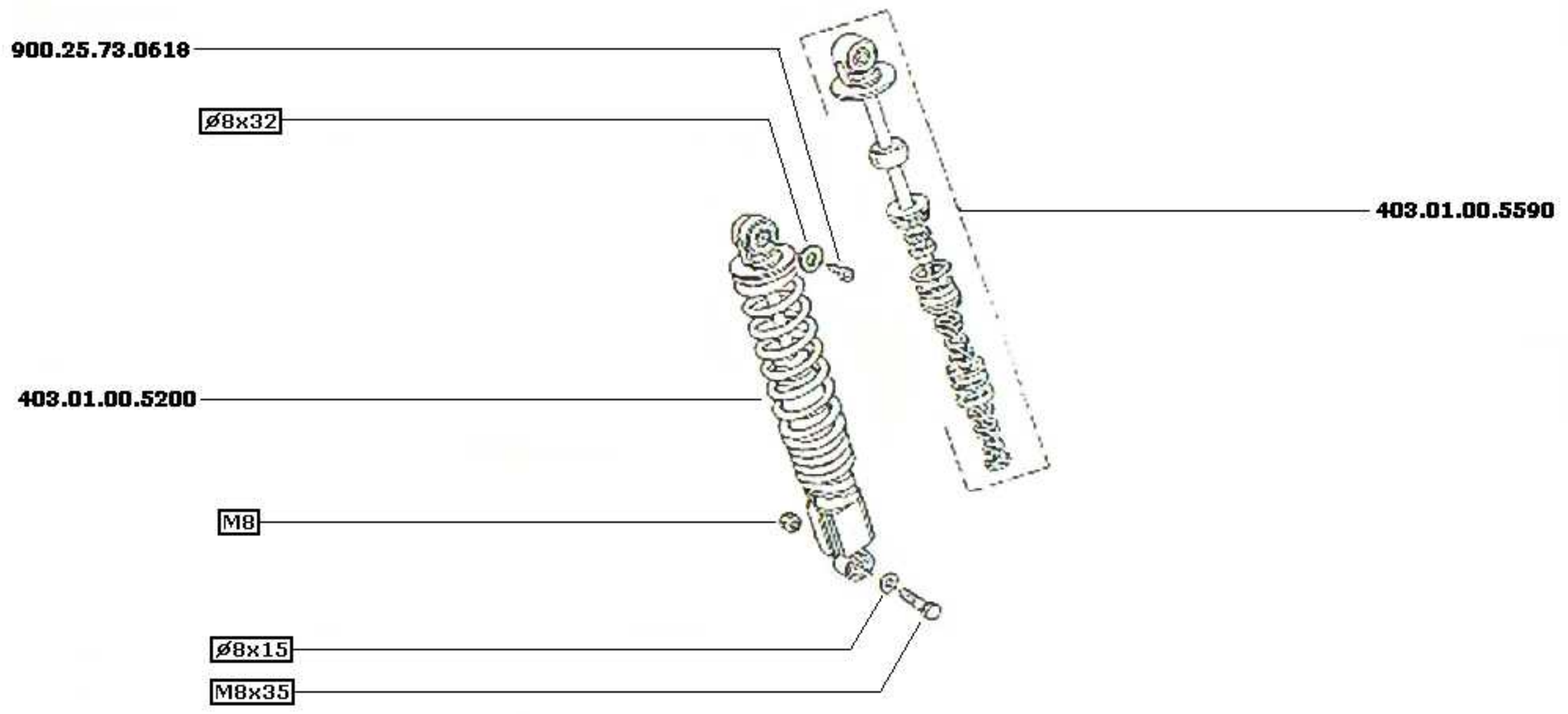


403.02.00.5000	Forcella anteriore completa	- Fourche avant complete	- Fork complet	- Vordere radgabel komplet
403.02.00.5810	Gamba destra forcella completa	- Jamoe droite complete	- Fork leg complete R/H	- Rechtes gabelbein komplet
403.02.00.5800	Gamba sinistra forcella completa	- Jamoe gauche complete	- Fork leg complete L/H	- Linkes gabelbein komplet

C1

2 - 1984		

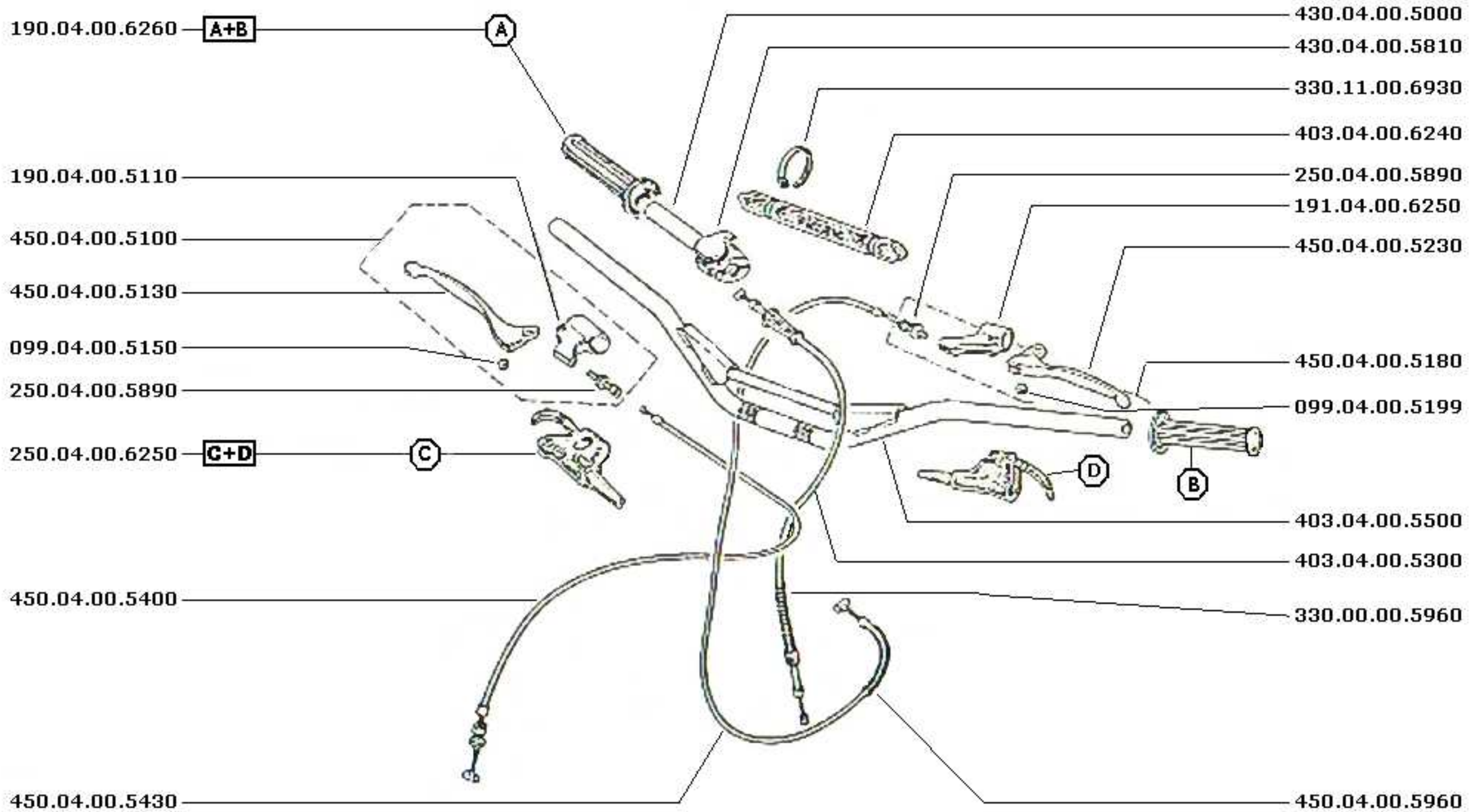
34001001 



C5

2 - 1984		

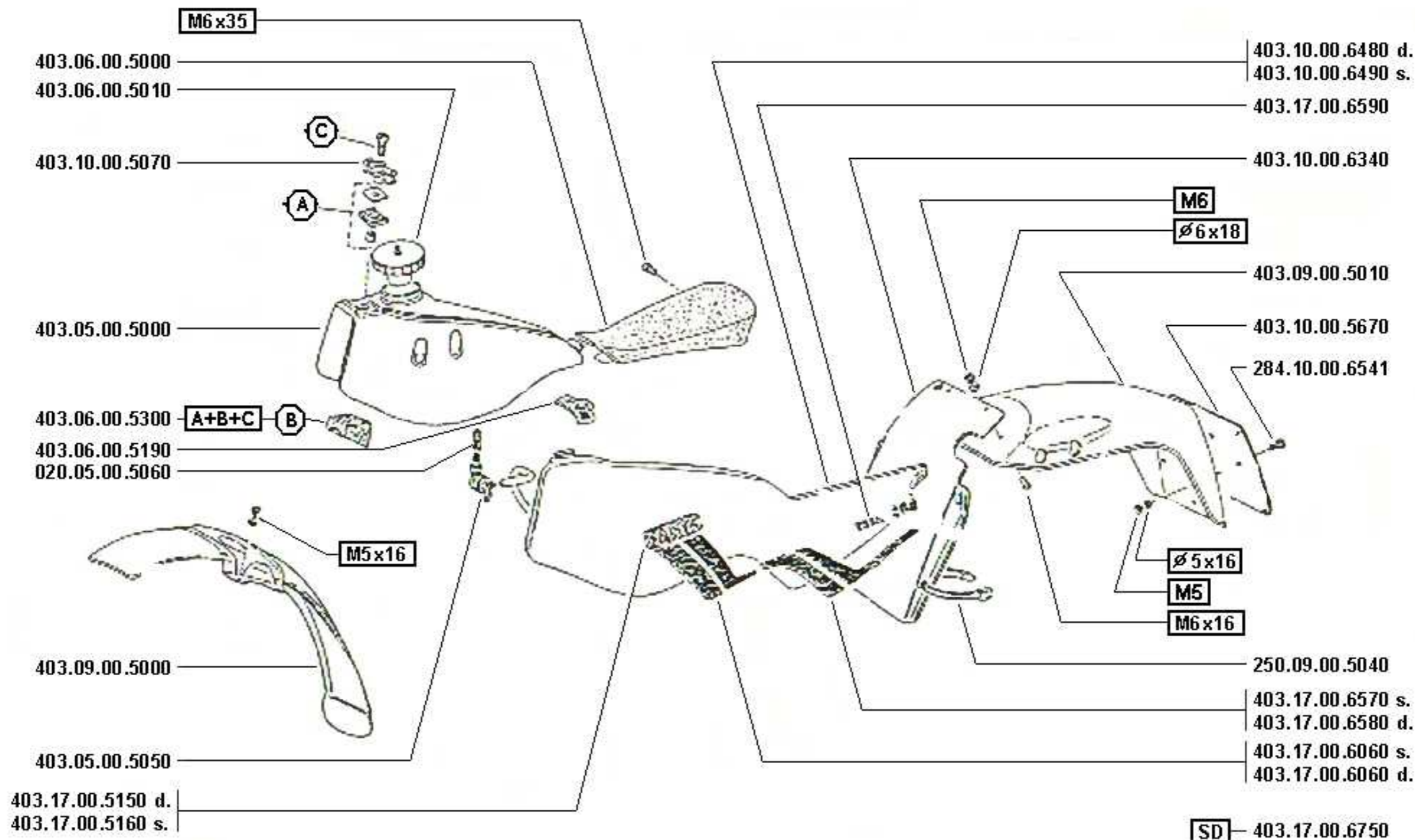
34001001



C9

2 - 1984

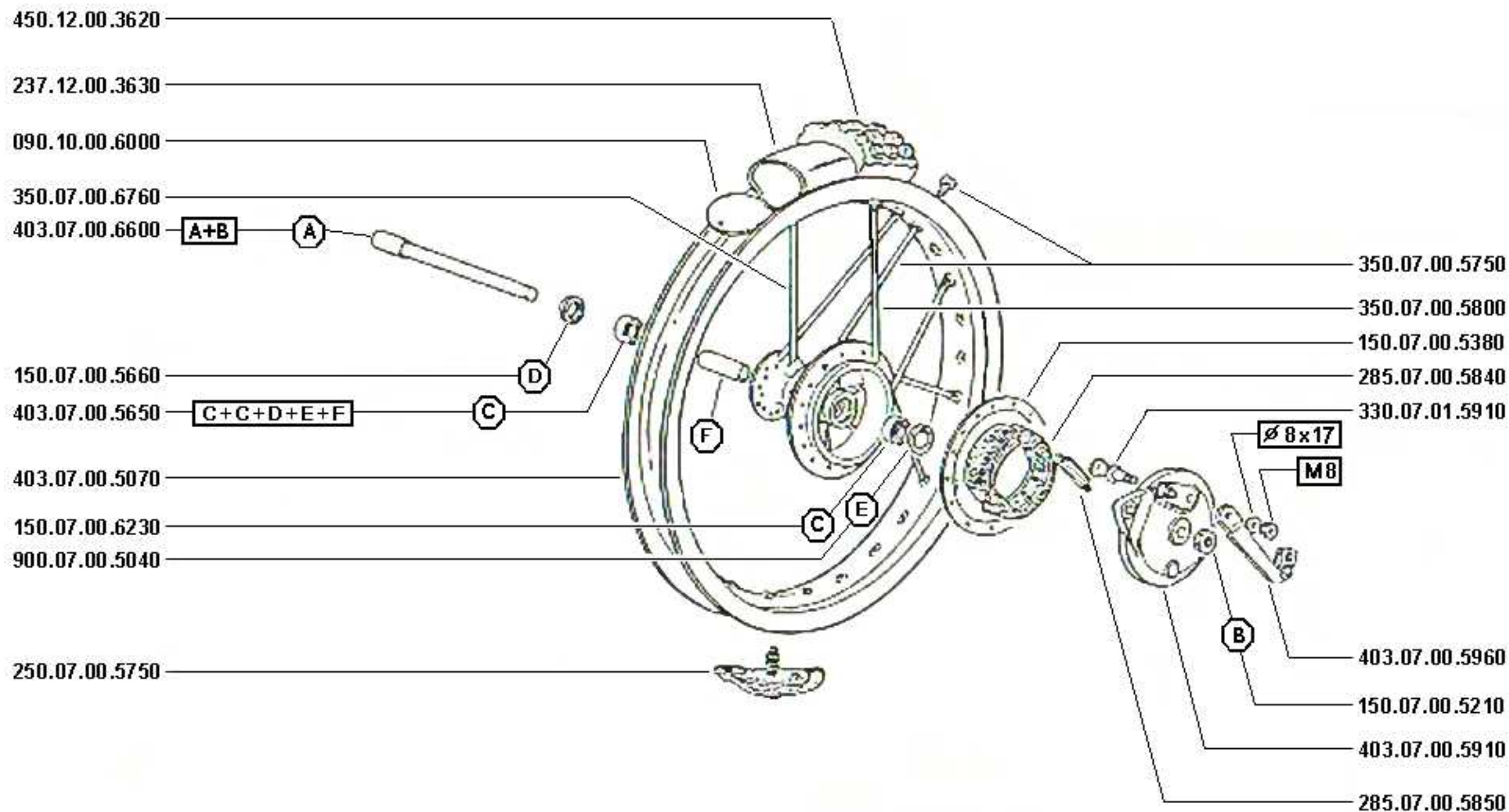
34001001



C13

2 - 1984

34001001



403.07.00.5000 Ruota anteriore completa

403.07.00.5060 Mozzo anteriore completo

403.07.00.5900 Disco portacepoi anteriore completo

- Roue avant complete

- Moyeu avant complet

- Disque porte machoires complet

- Front wheel complete

- Front hub complete

- Brake plate complete

- Vorderrad komplett

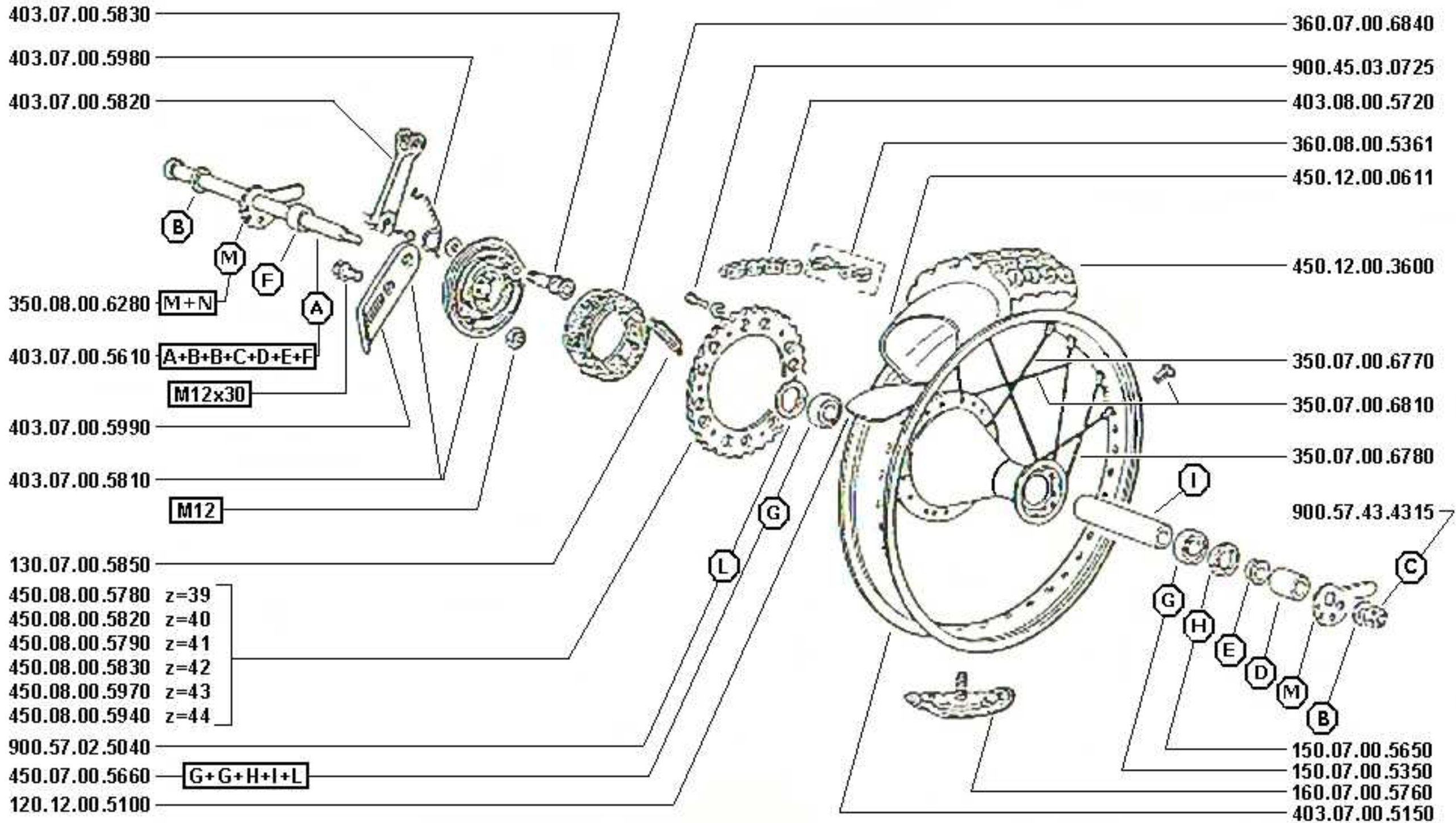
- Vorderradnabe komplett

- Bremsplatte komplett

D1

2 - 1984

34001001

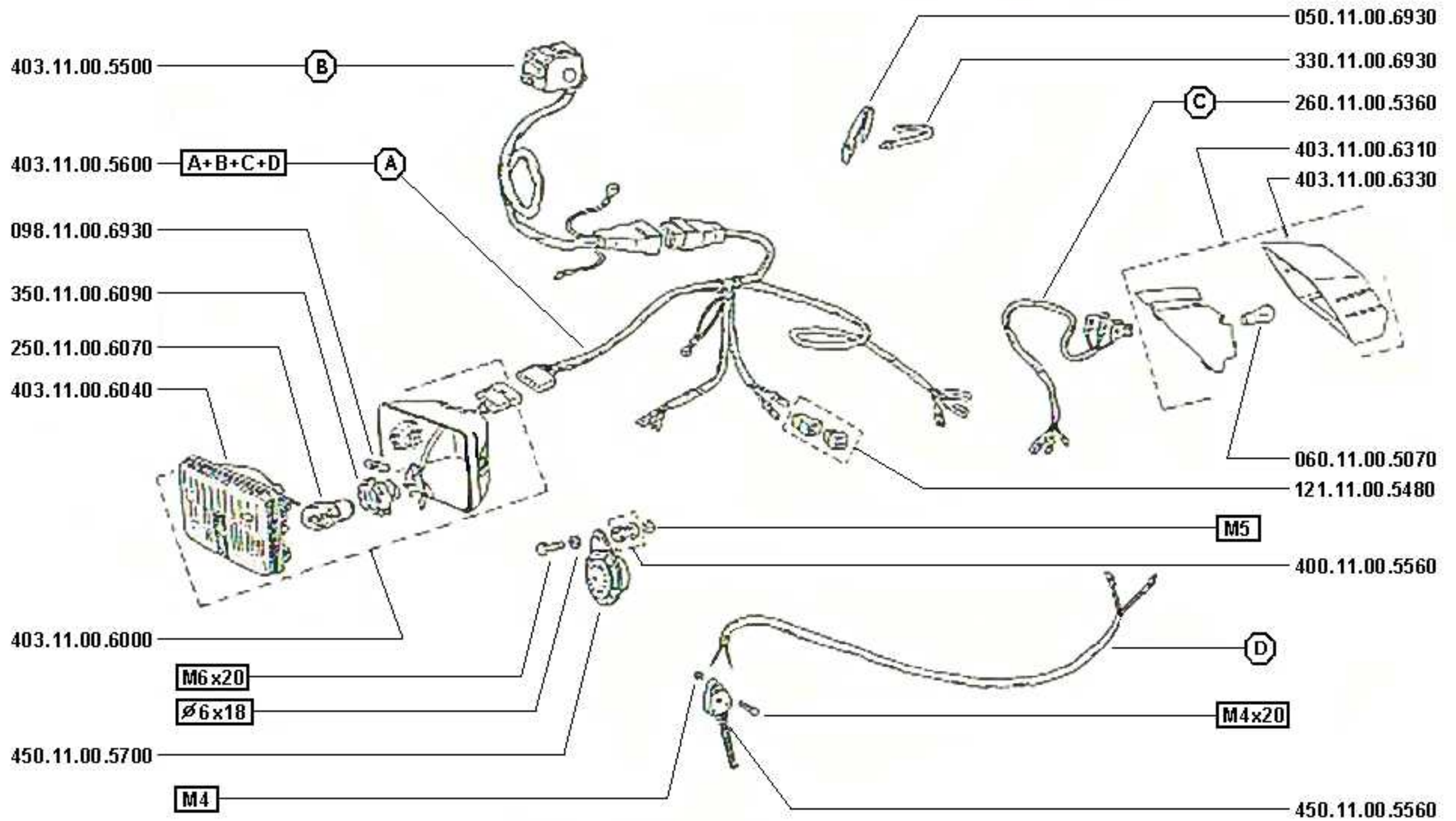


403.07.00.6290	Ruota posteriore completa	- Roue arriere complet	- Rear wheel complete	- Hinterrad komplett
403.07.00.6300	Mozzo posteriore completa	- Moyeu arrier complet	- Rear hub complete	- Hinterradnabe komplett
403.07.00.6800	Disco portaceppi posteriore completa	- Disque porte-machires complet	- Brake plate complete	- Bremsplatte komplett

D5

2 - 1984		

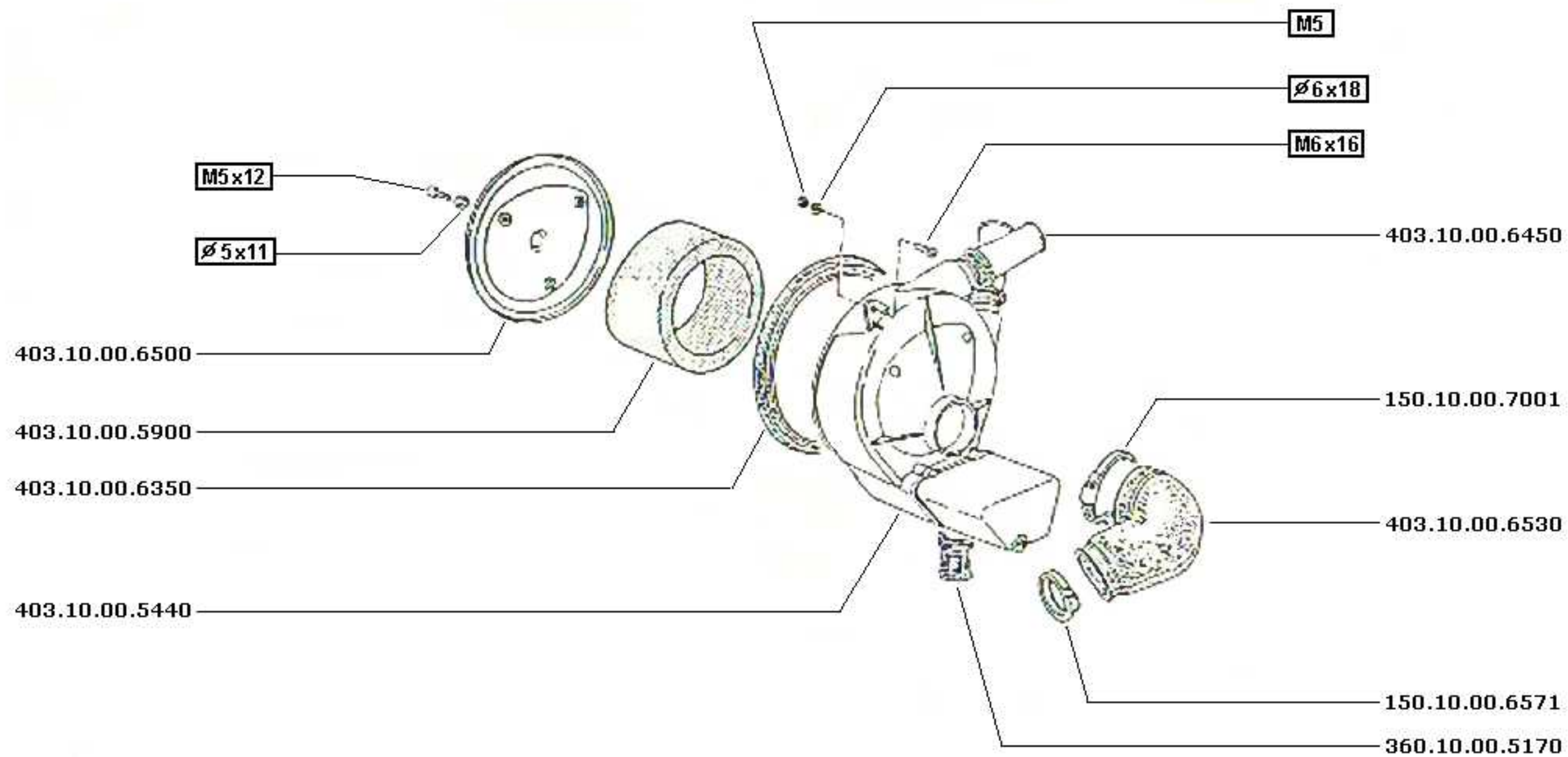
34001001



D9

2 - 1984		

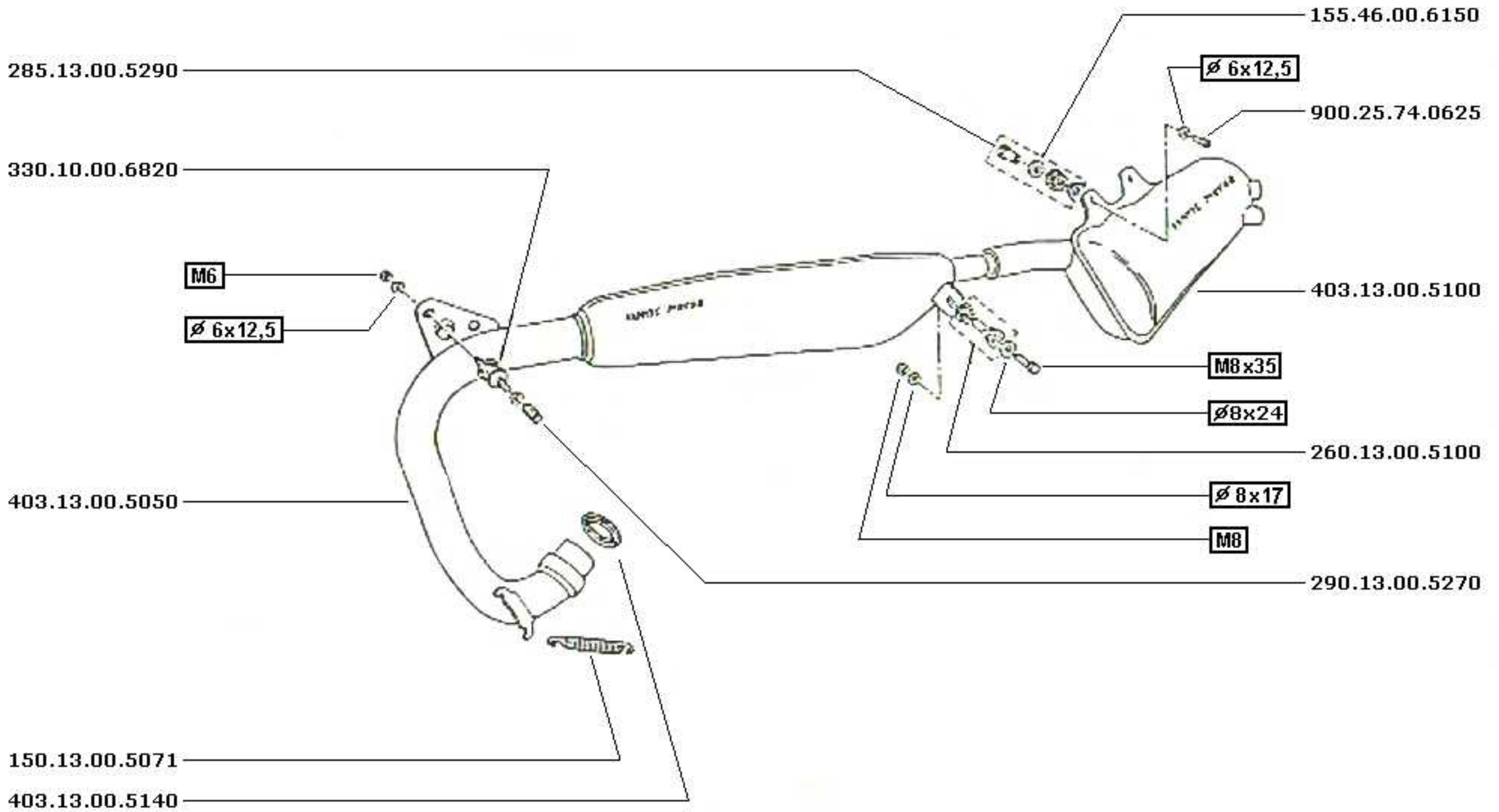
34001001 →



D13

2 - 1984		

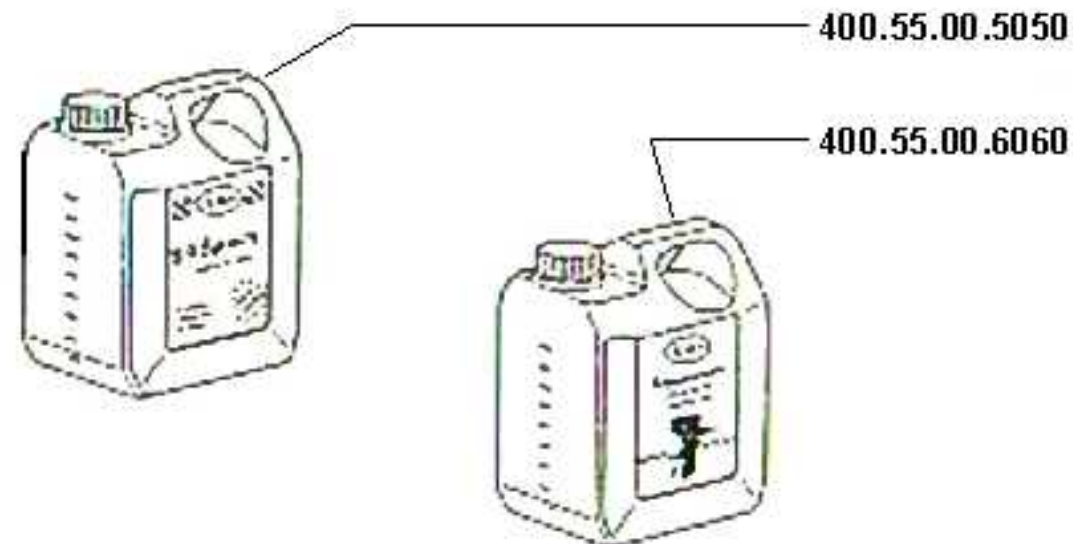
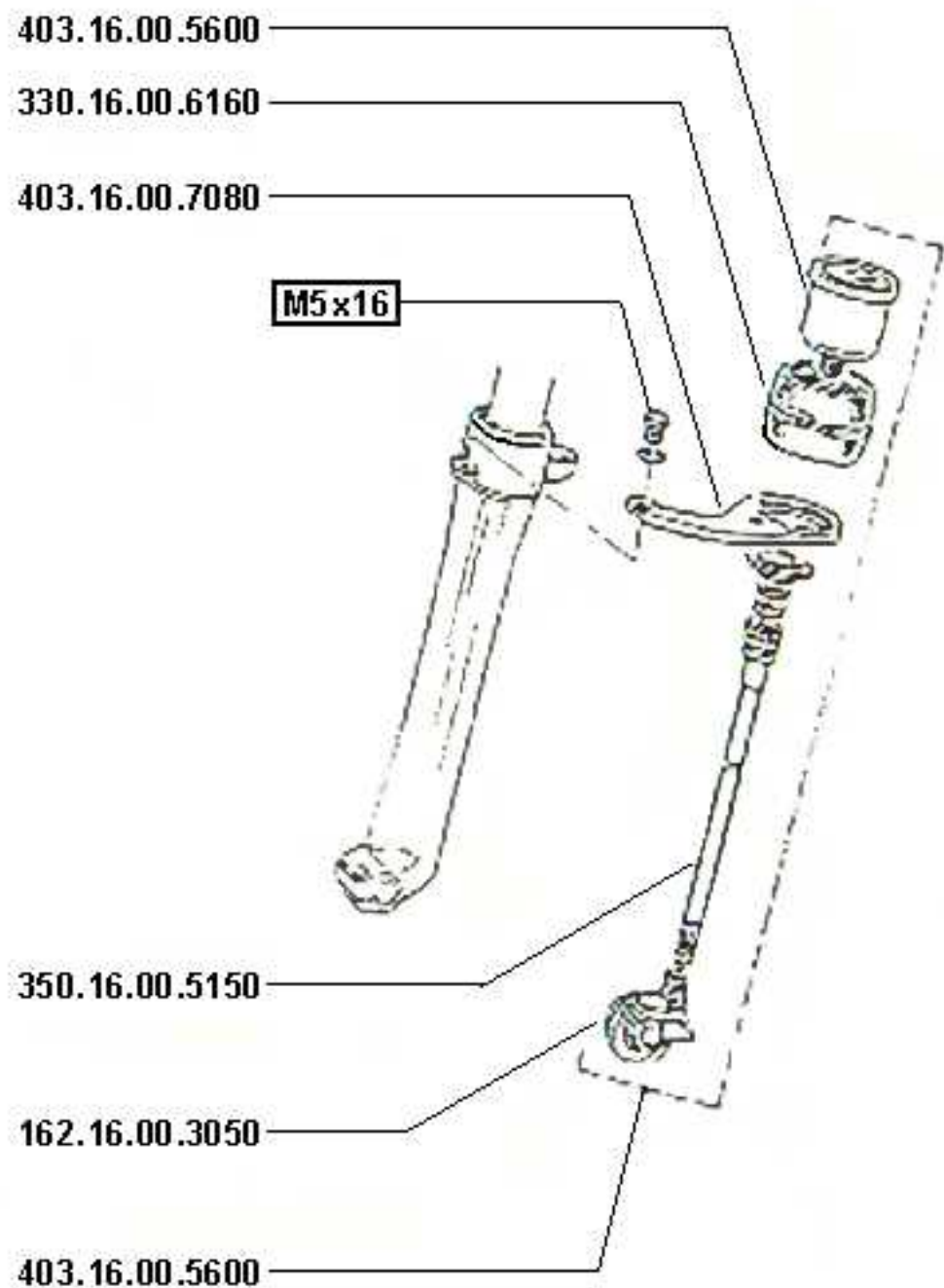
34001001



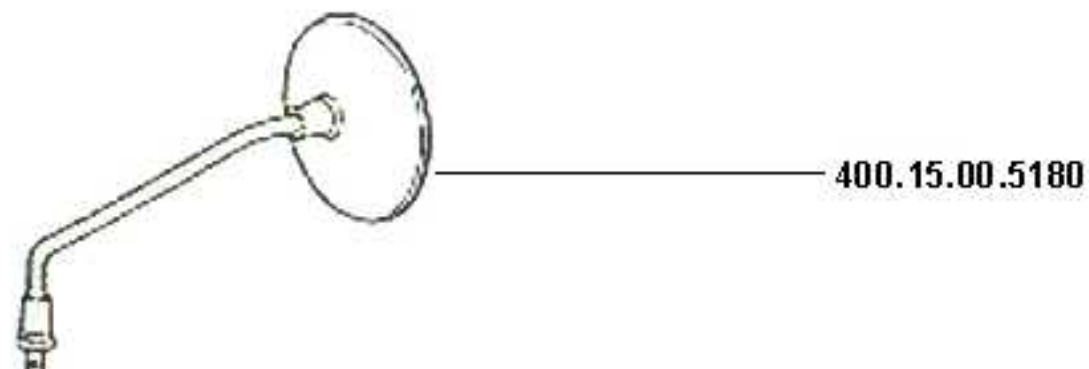
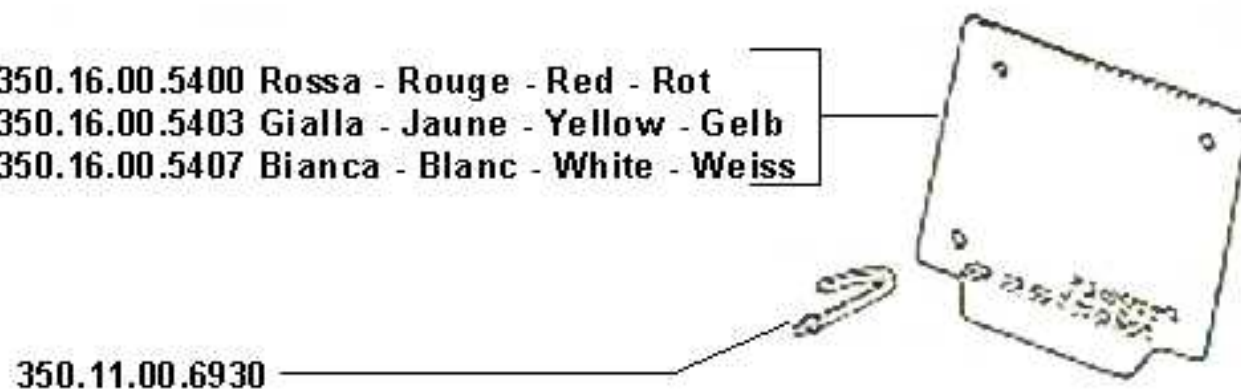
E1

2 - 1984		

34001001



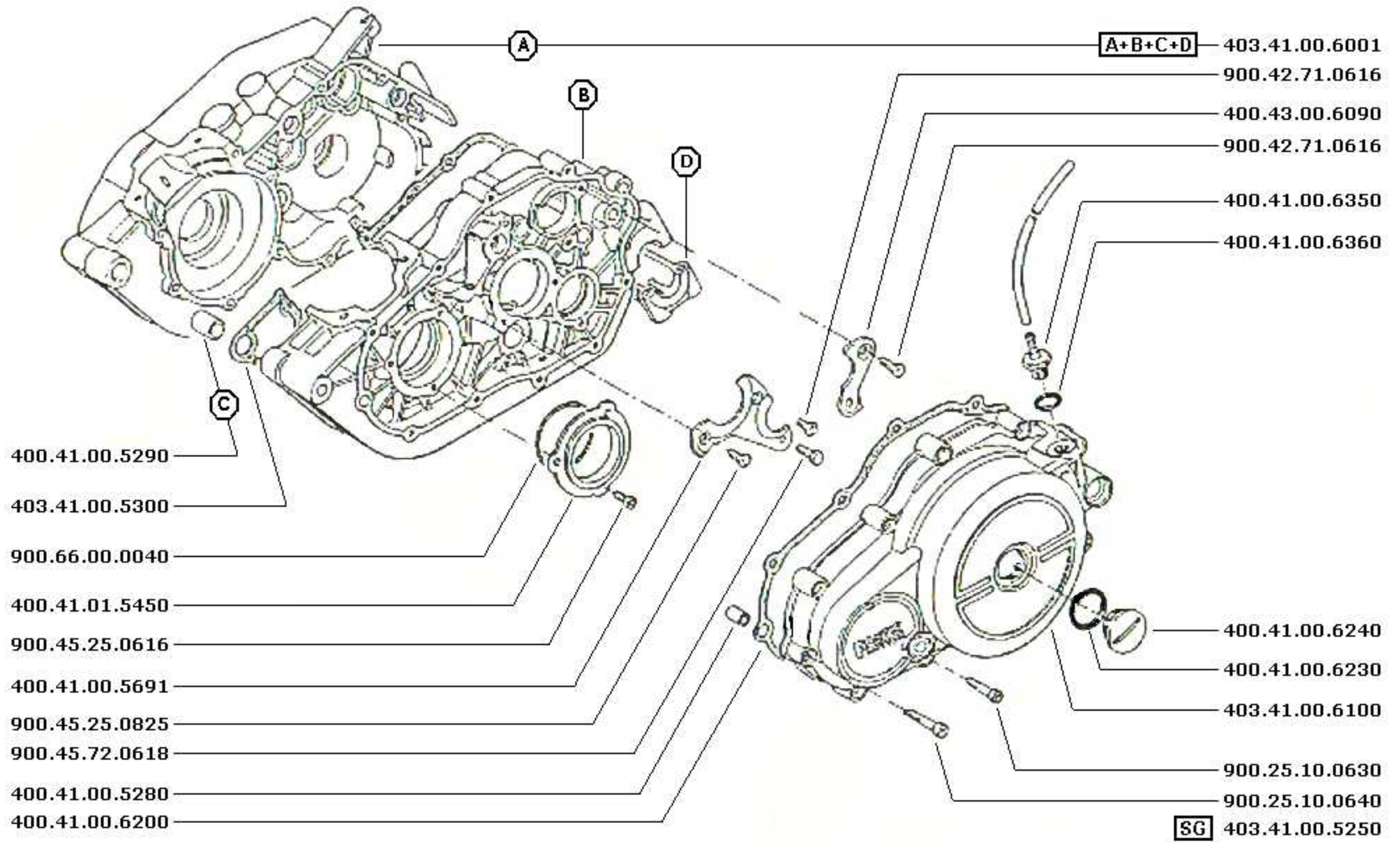
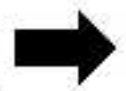
350.16.00.5400 Rossa - Rouge - Red - Rot
350.16.00.5403 Gialla - Jaune - Yellow - Gelb
350.16.00.5407 Bianca - Blanc - White - Weiss



F9

2 - 1984		

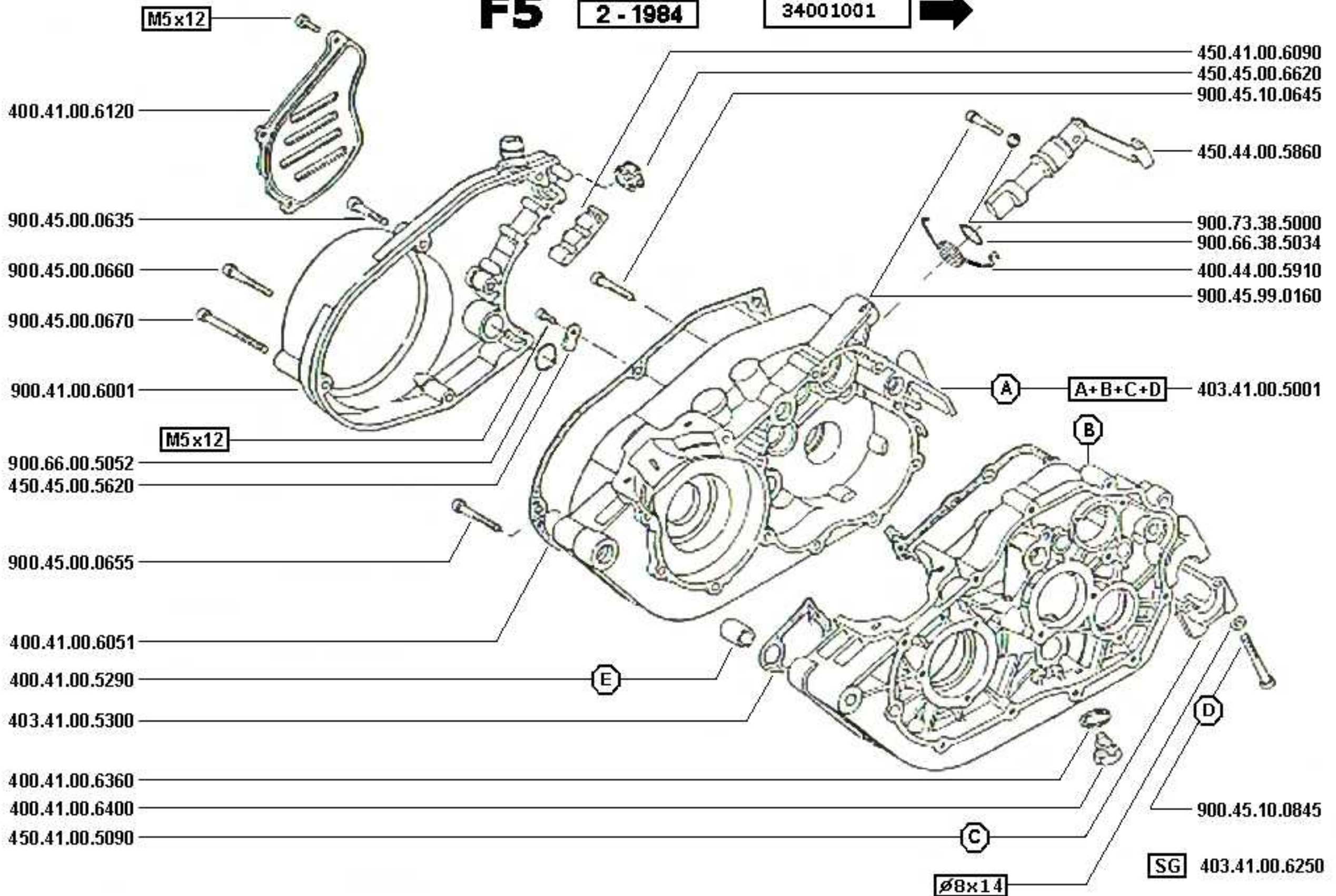
34001001



F5

2 - 1984

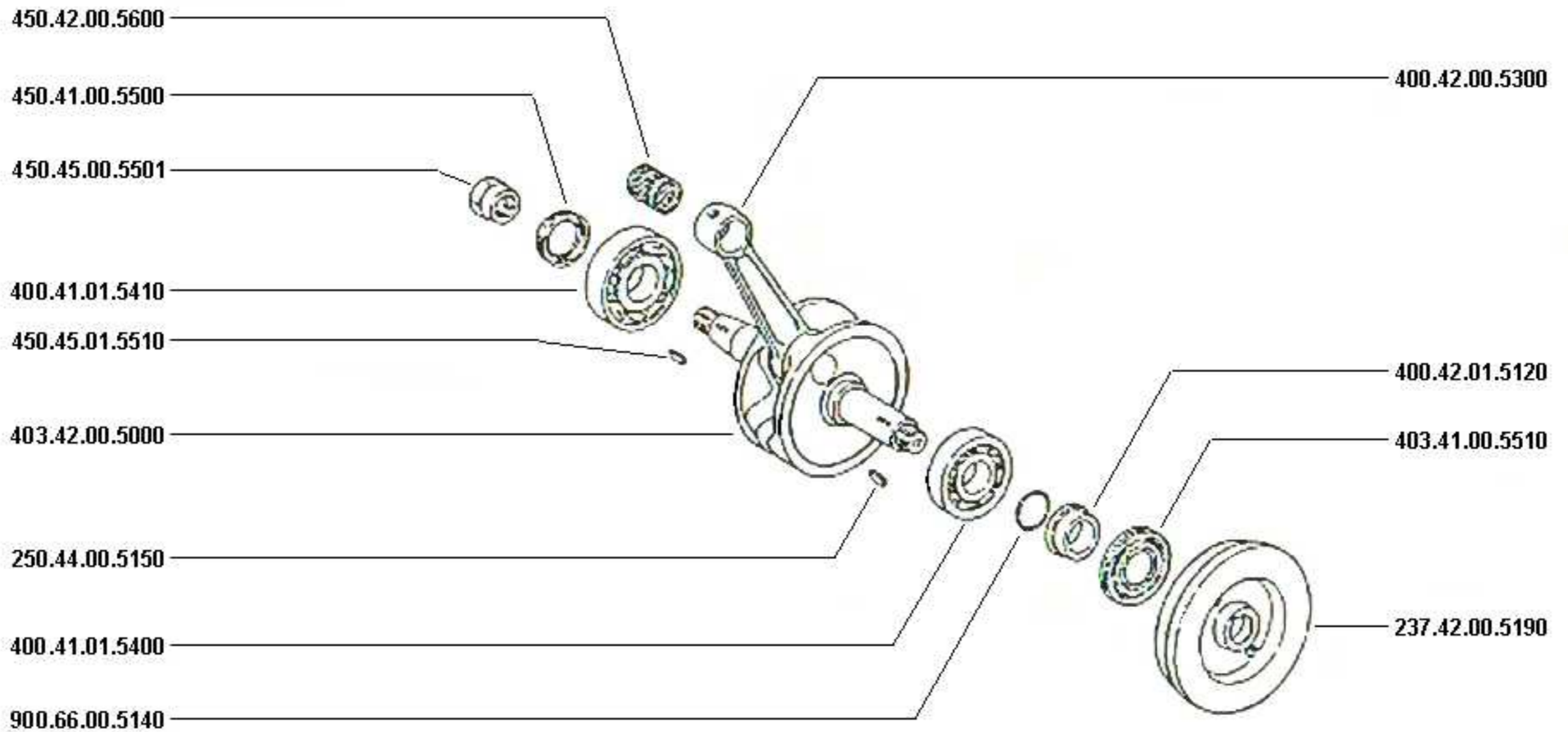
34001001



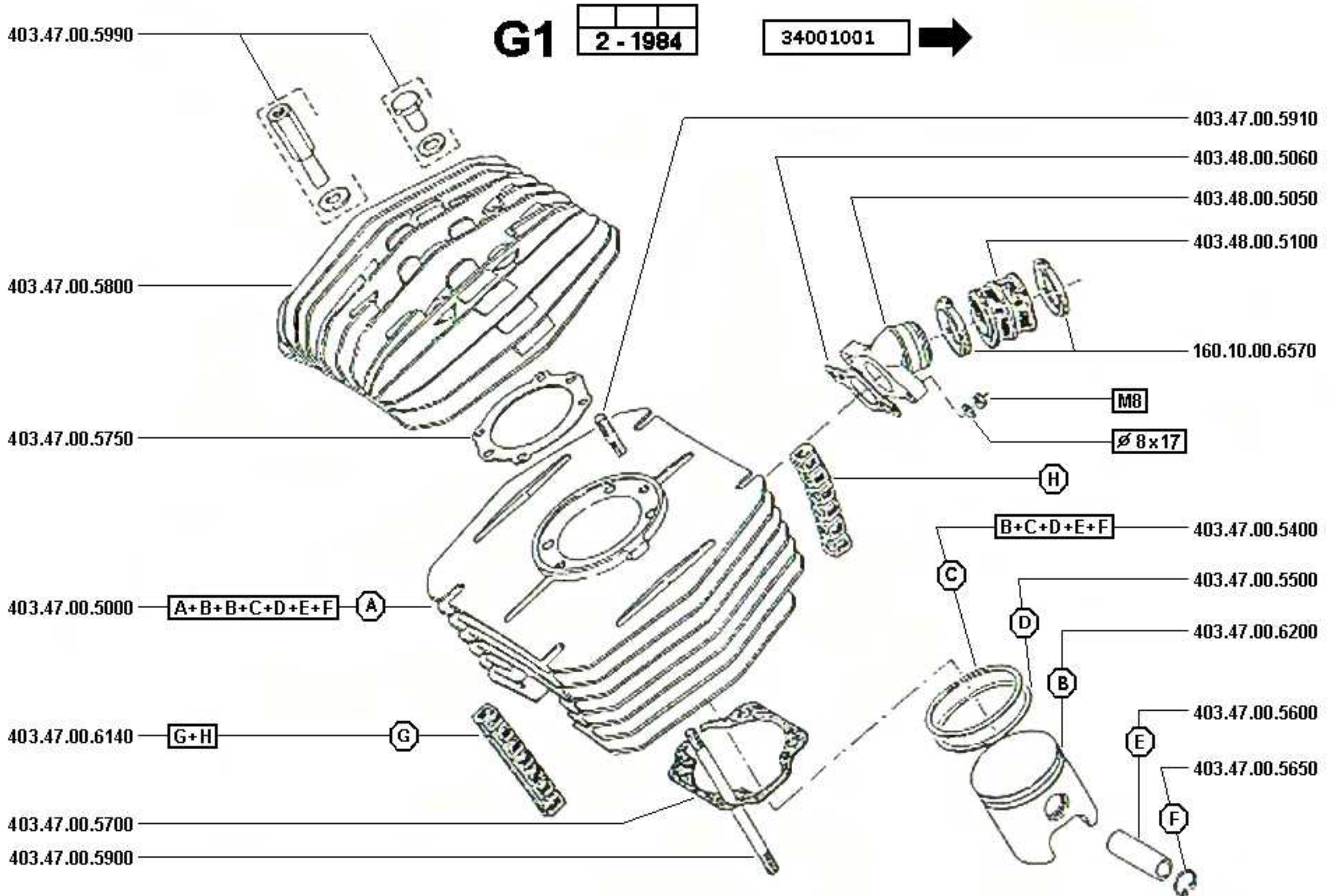
F13

2 - 1984		

34001001



SP 450.41.00.6260



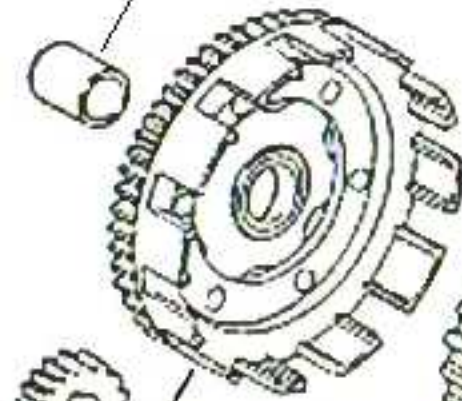
G5

2 - 1984		

34001001



403.44.00.5320



403.44.00.5350

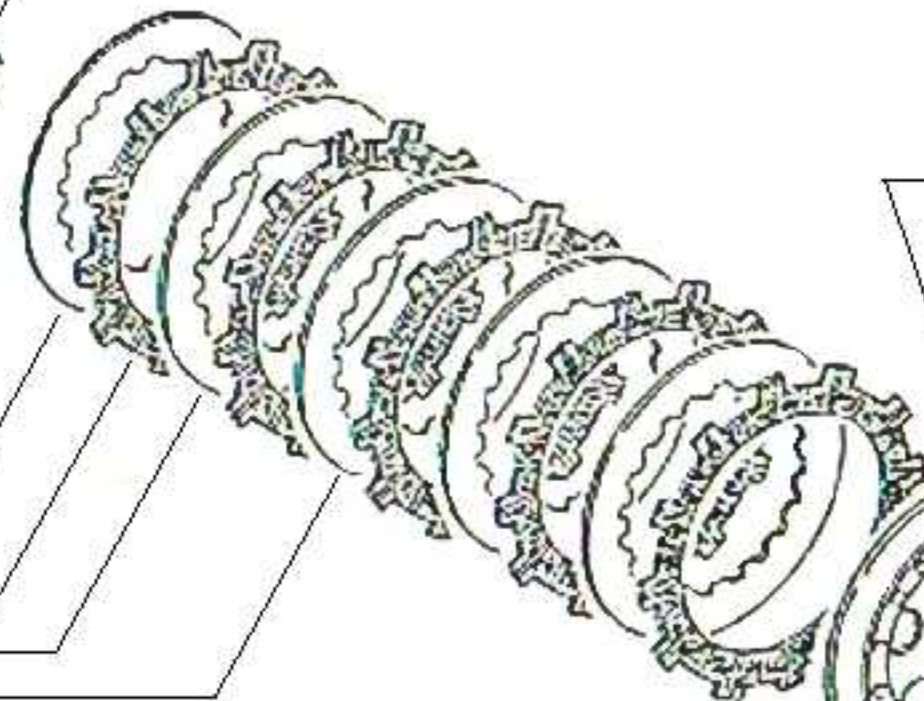
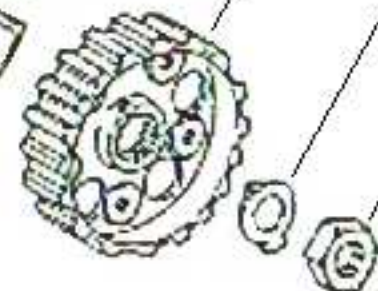
403.44.00.5410

250.44.00.5200

403.44.00.5000

400.44.01.5210

400.44.01.5200



403.44.00.5500

450.44.00.6660

400.44.00.5550

900.45.10.0630

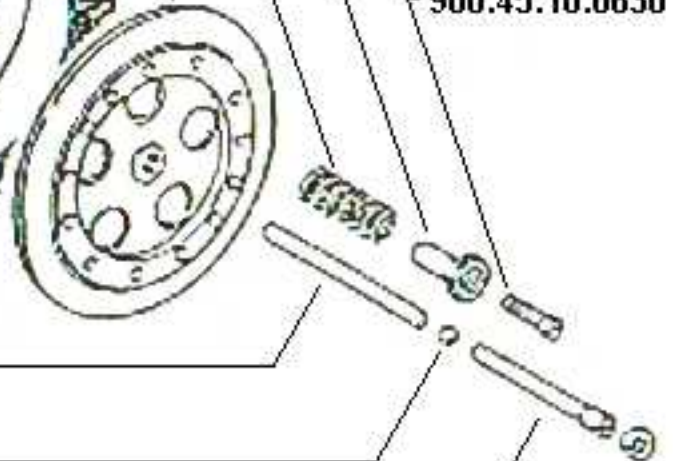
403.44.00.5440

- 403.44.5470 Nr: 1
- 403.44.5450 Nr: 5
- 403.44.5480 Nr: 3
- 403.44.5460 Nr: 1

403.44.00.5700

450.44.00.5690

450.44.00.5670



G9

2 - 1984		

34001001



403.43.00.7110 z=11
403.43.00.7120 z=12
403.43.00.7130 z=13

900.67.01.5019

400.41.00.5650

400.41.00.5660

403.43.00.5000

403.43.00.5100
403.43.00.5500

450.41.00.5600

403.44.00.5340

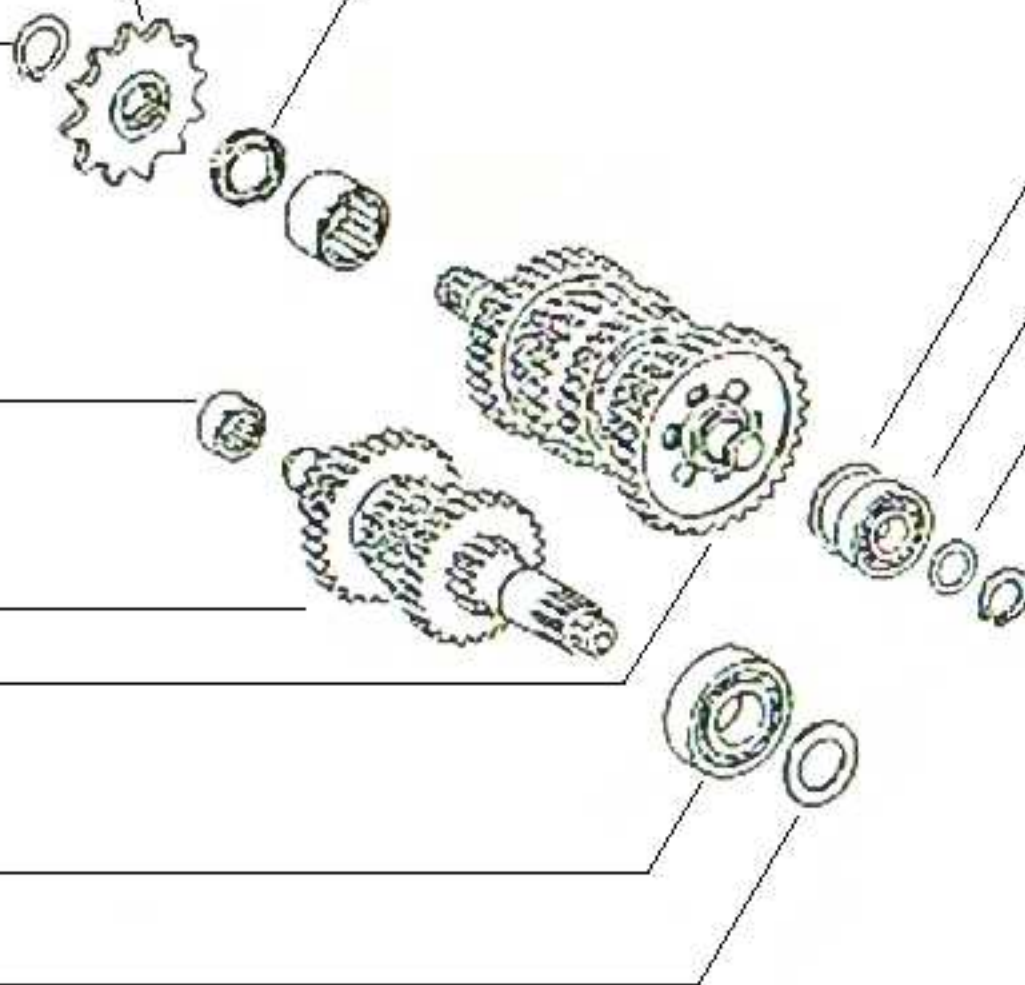
403.41.00.5800

400.43.00.8110

160.41.00.5600

160.44.00.5340

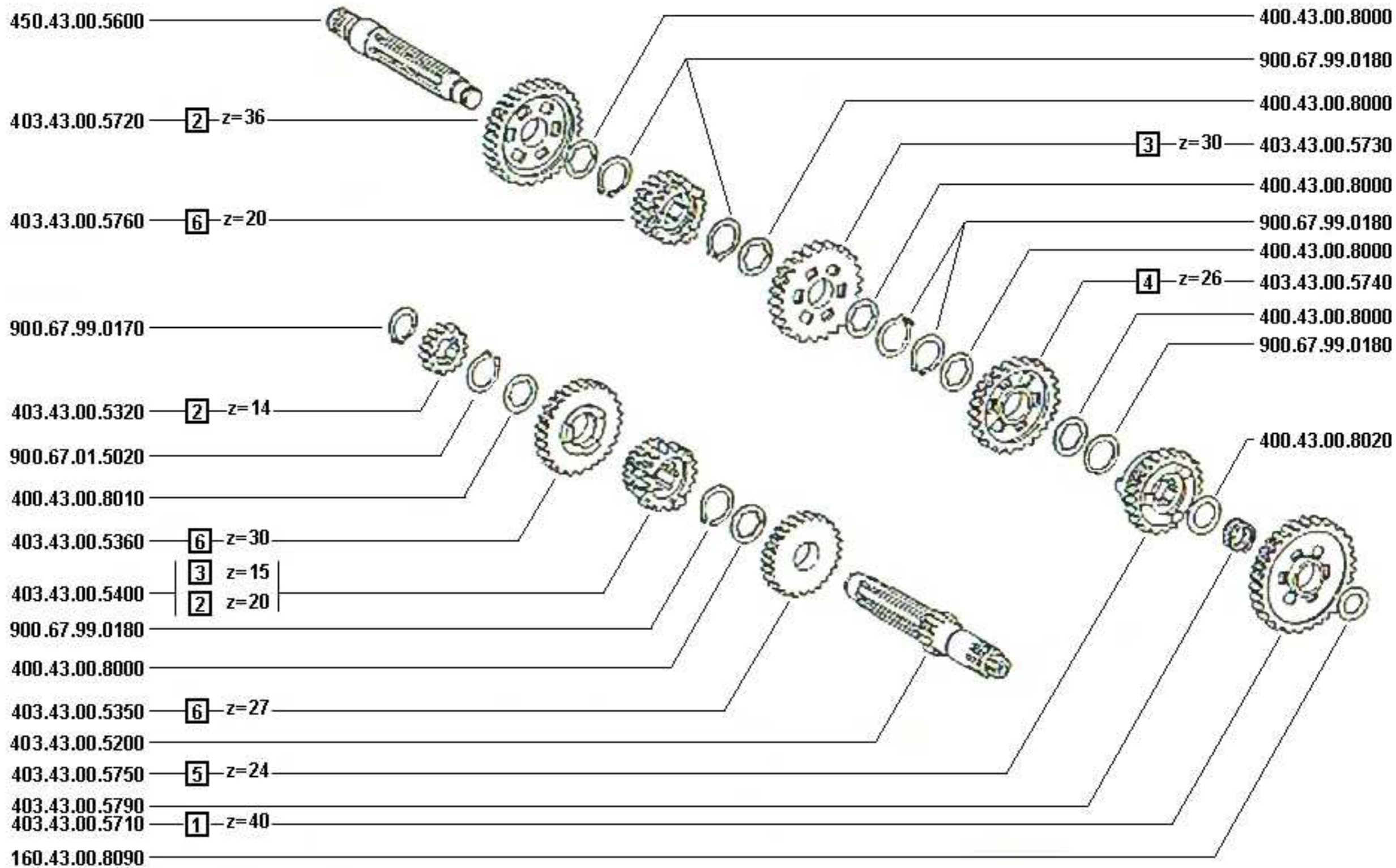
900.87.01.5015



G13

2 - 1984		

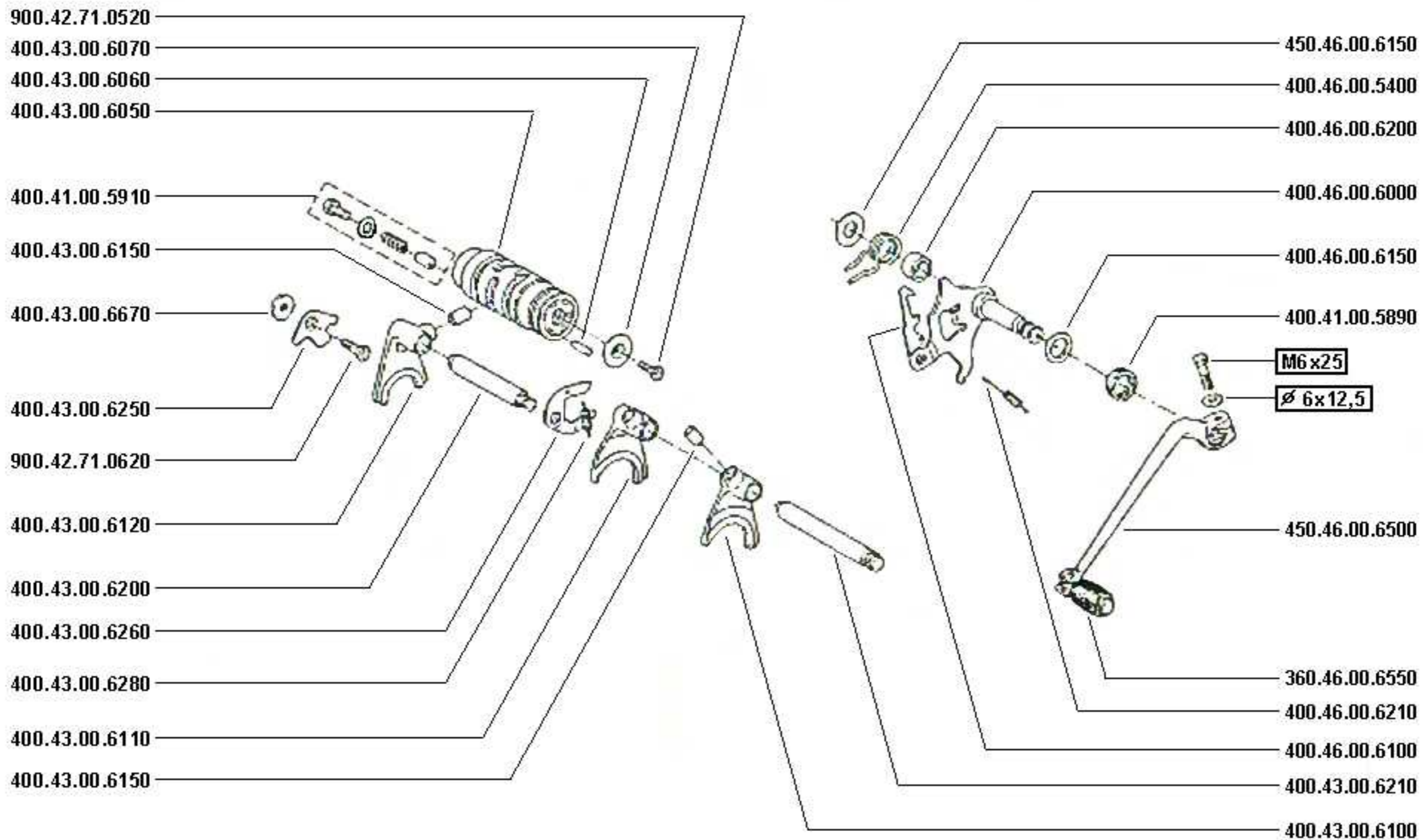
34001001



H1

2 - 1984		

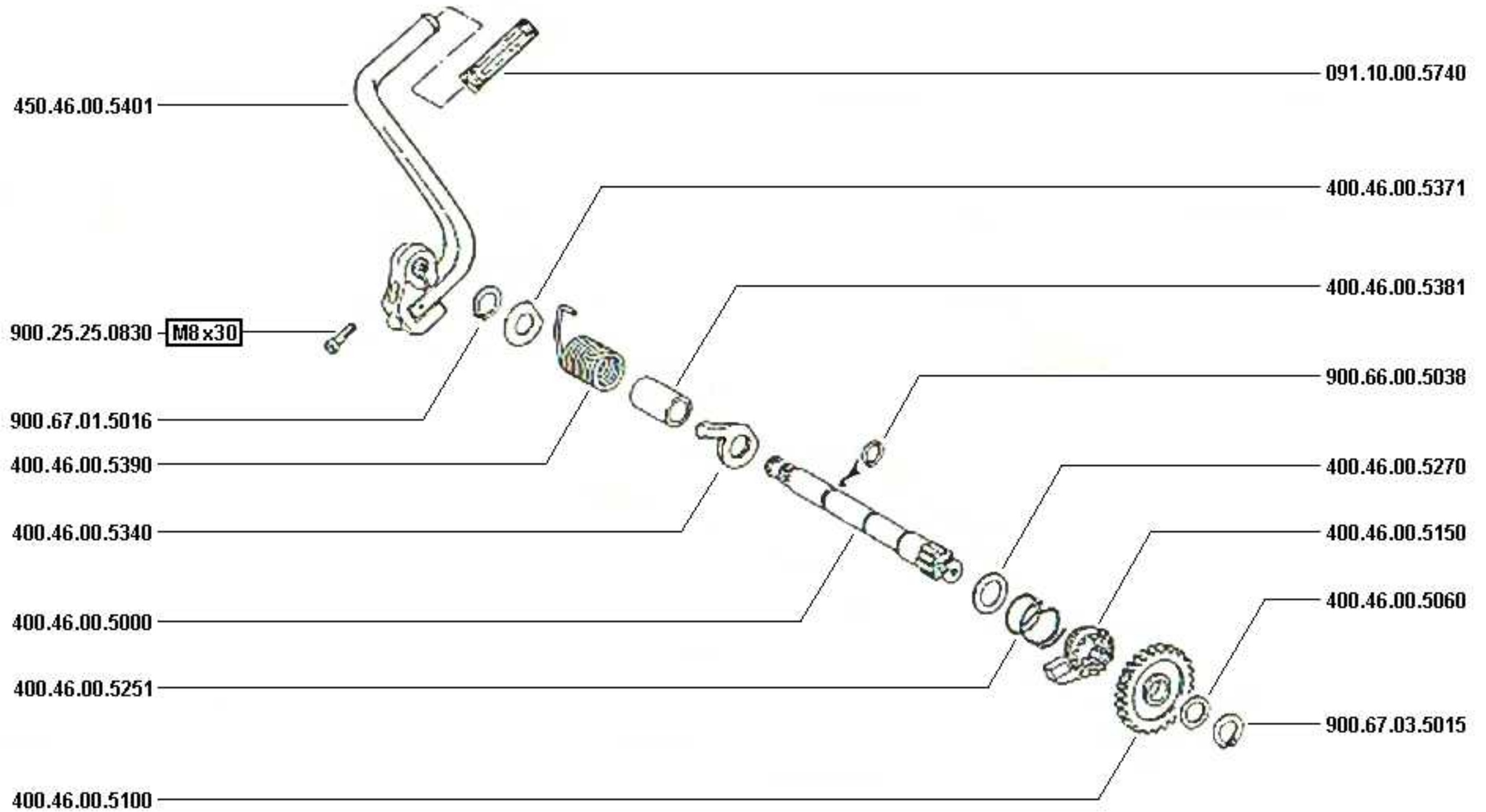
34001001



H5

2 - 1984		

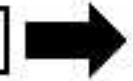
34001001



H9

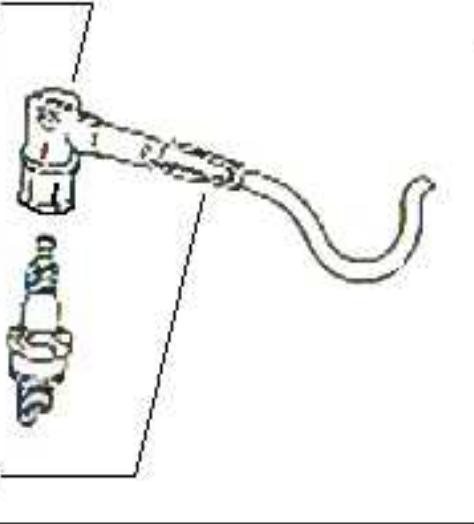
H10	
2 - 1984	

34001001

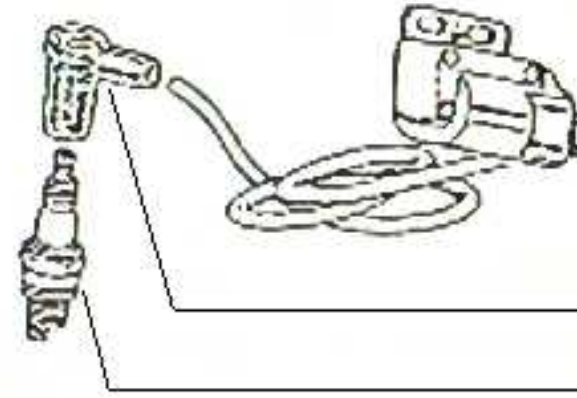


MOTOPLAT

193.45.00.5900



193.45.00.5840



403.45.00.5660

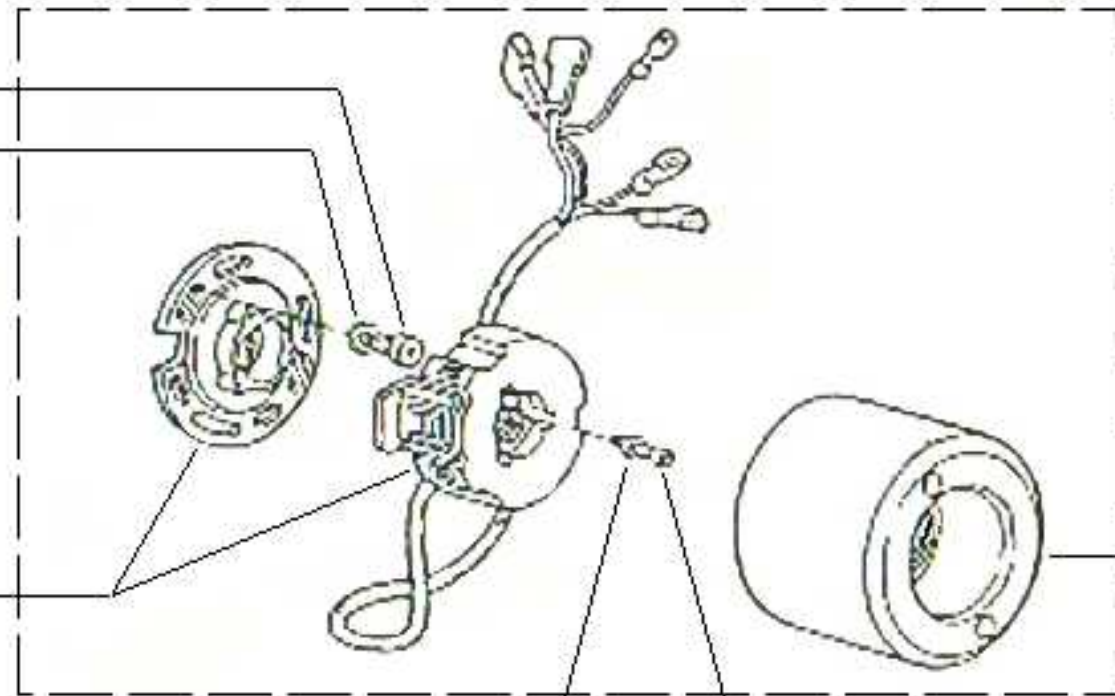
150.11.00.6750

281.45.15.6000

M4x12

∅4x8

403.45.00.5100



403.45.00.5000

403.45.00.5050

M4x26

∅4x8



H10

2 - 1984		

34001001



ZANUSSI

193.45.00.5900

193.45.00.5840

281.45.16.6000

150.11.00.6750

403.45.01.5660

403.45.01.5250

403.45.01.5000

403.45.01.5260

403.45.01.5050

403.45.01.5260

403.45.01.5270

403.45.01.5110

403.45.01.5100

A+B+C+D

C

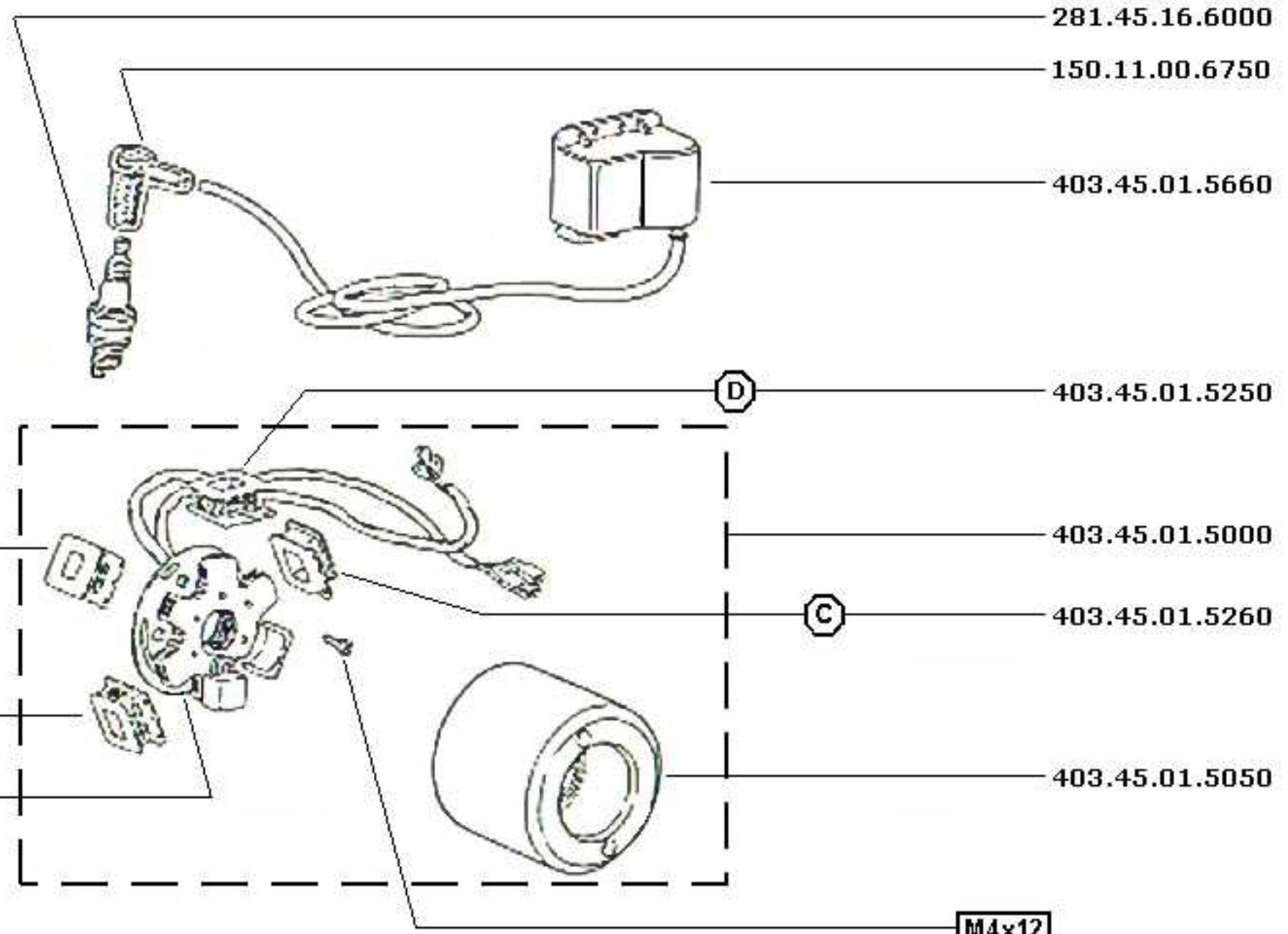
B

A

D

C

M4x12



H13

2 - 1984		

34001001



070.04.00.6180

260.48.00.8400

260.48.00.7440

260.48.00.7560

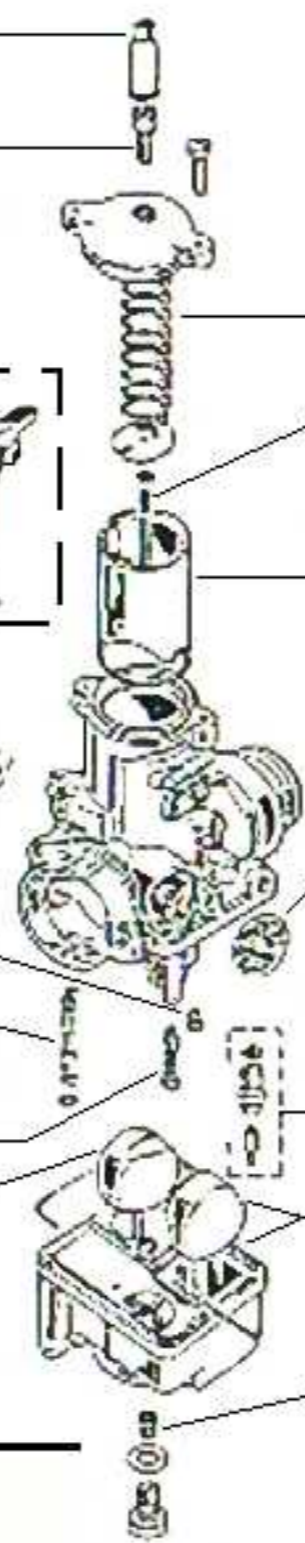
260.48.00.7560

900.71.48.5045

900.77.74.6070

403.48.00.7850

900.79.01.0083



900.79.42.5000

900.79.47.7006

900.79.37.4046

900.76.10.9000

900.79.25.0000

900.74.56.8000

900.75.43.6200

900.79.42.4000

900.76.41.3105

403.45.00.5000 Carburatore completo - Carburateur complet
Carburettor complet - Vergaser komplett

SG 403.48.00.5***