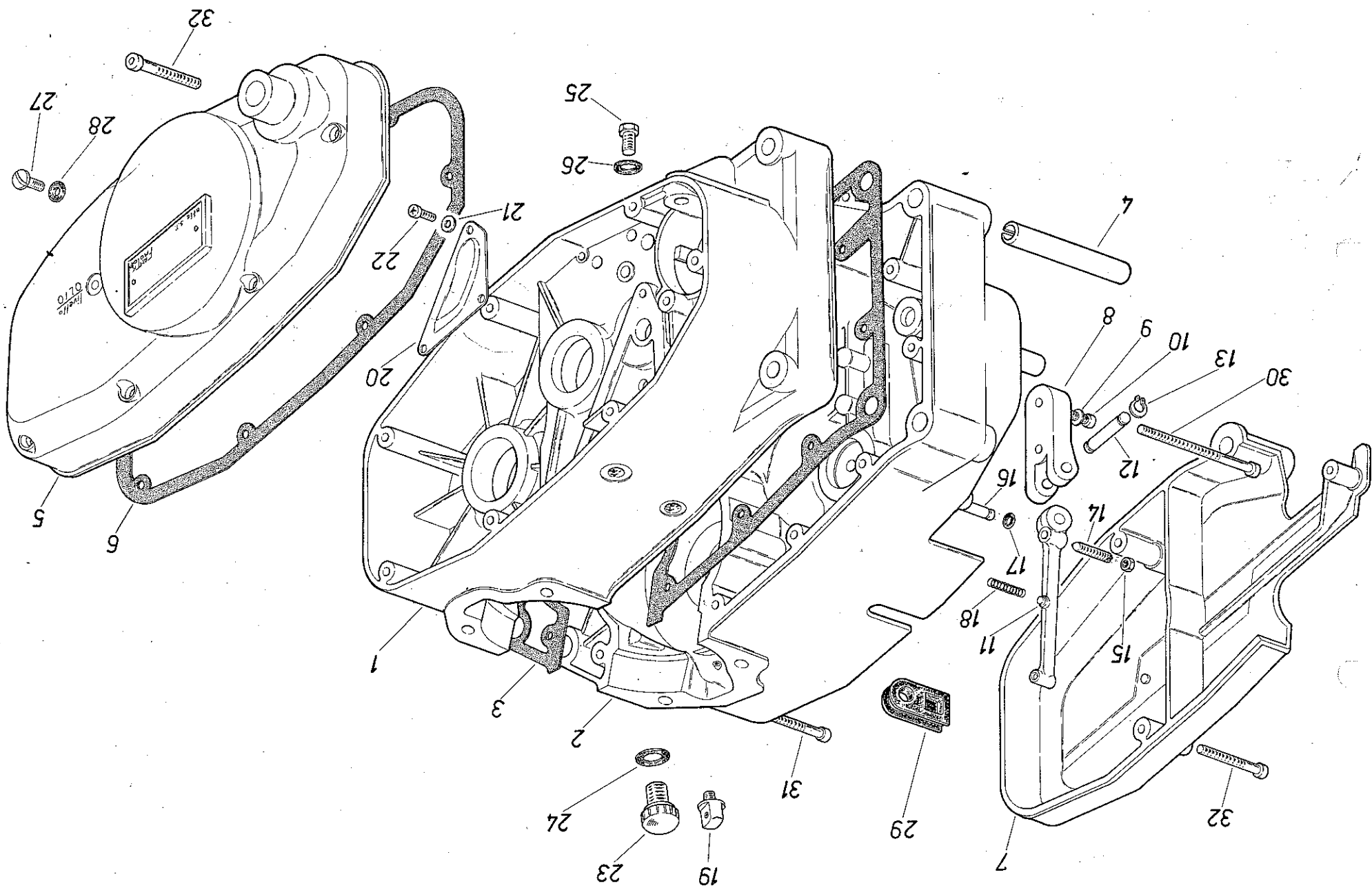
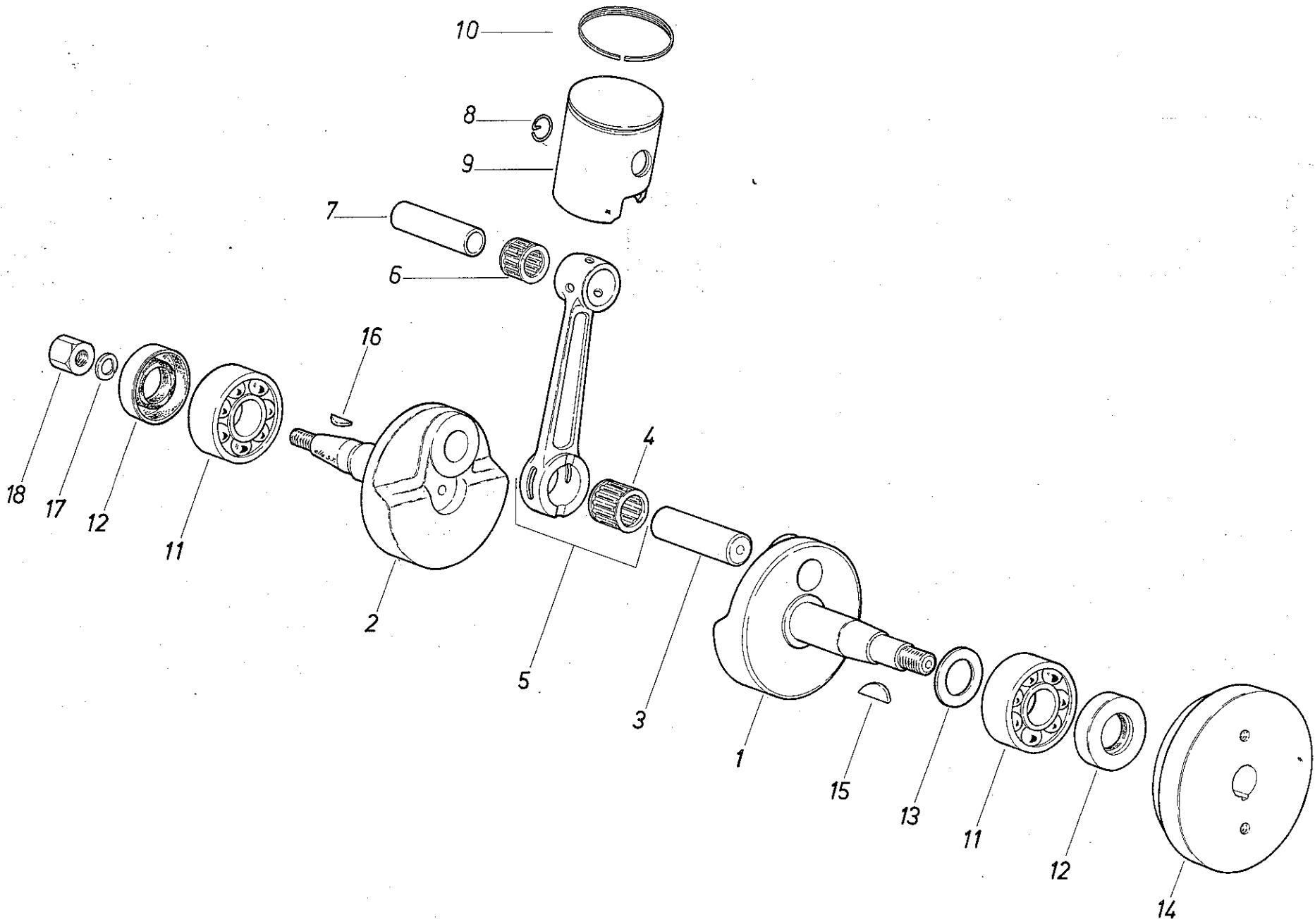


TX - 250 Trial 125 cc

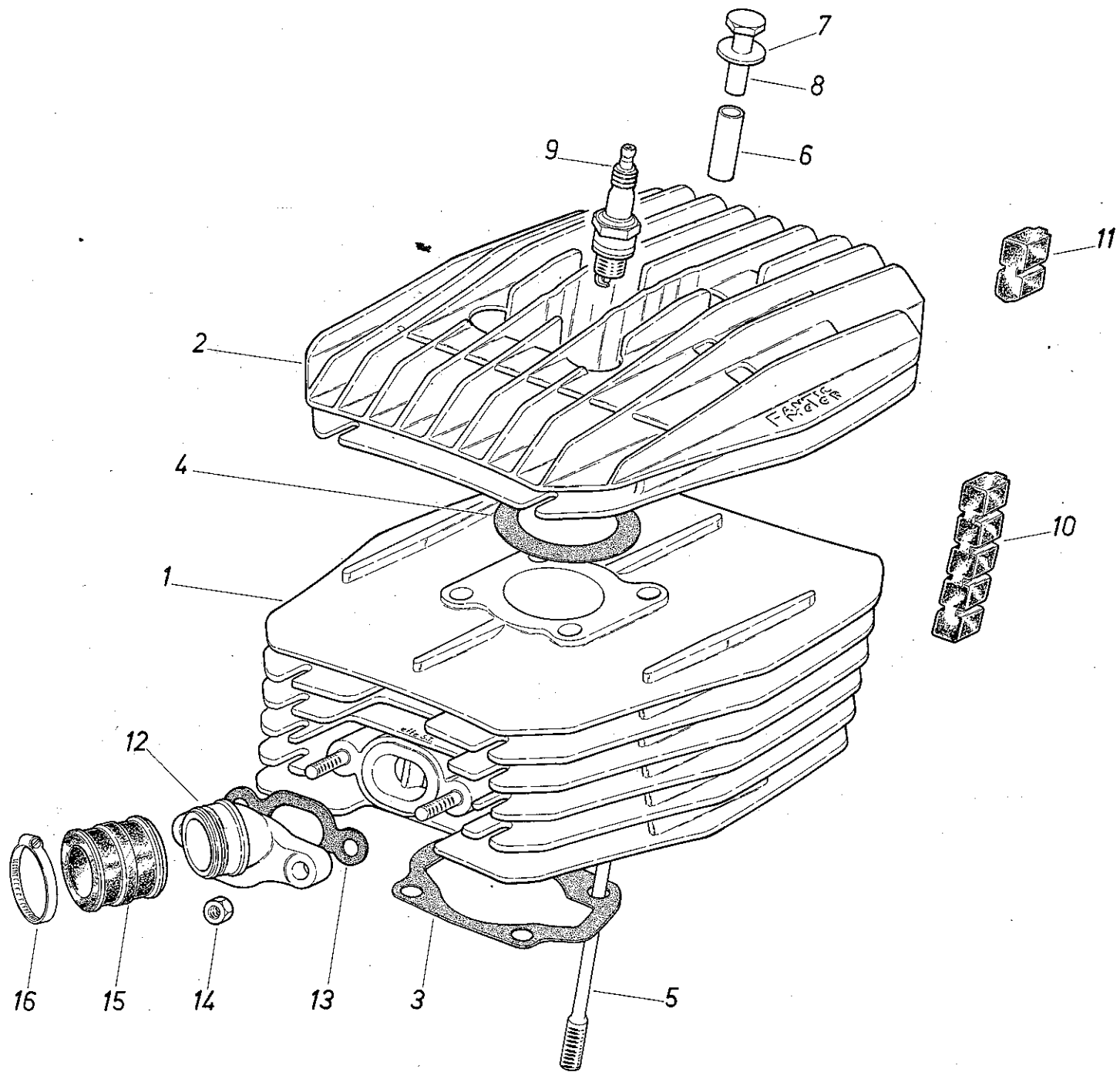
FANTIC
MOTOR



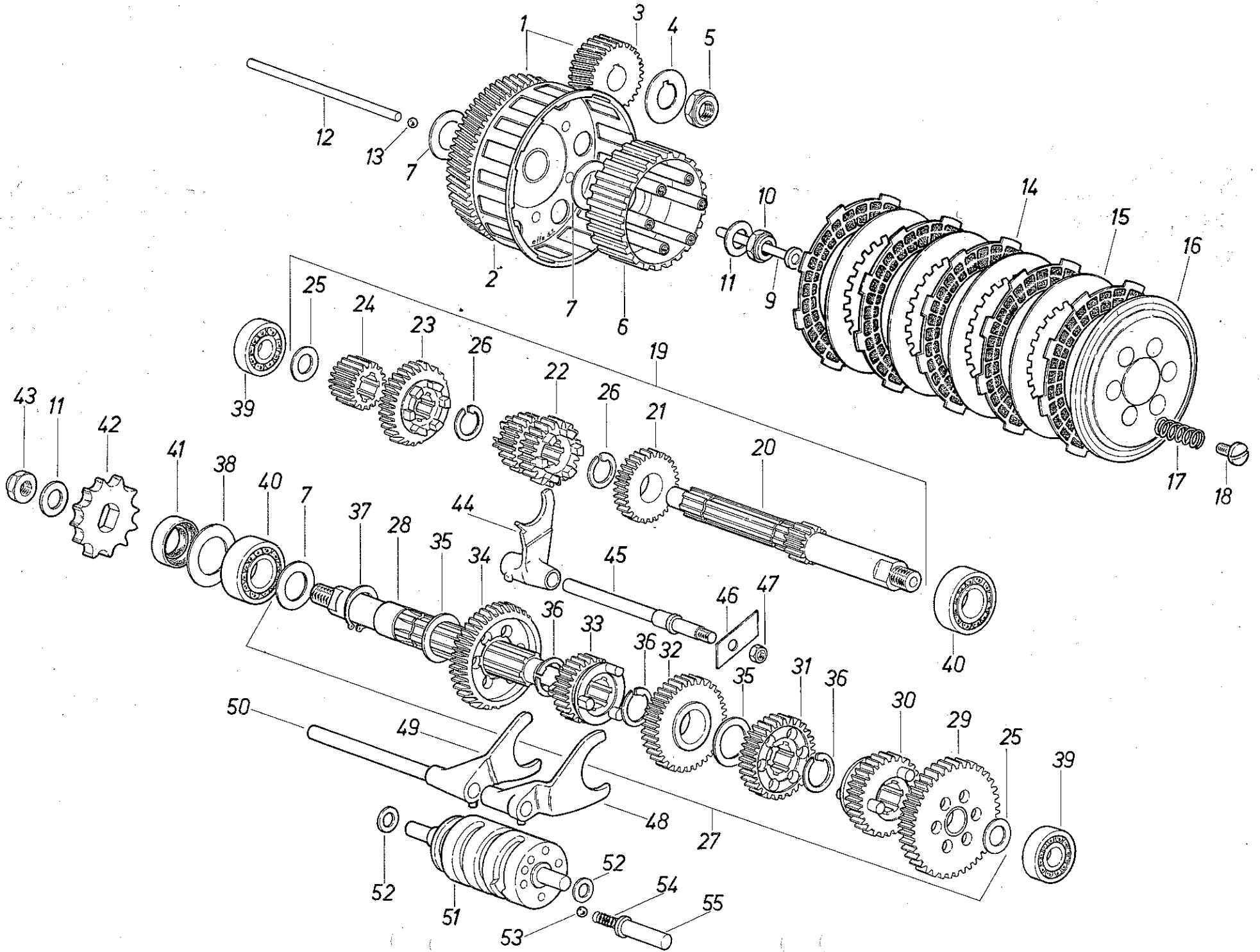
Int.	Fig. N.	CODE N.	DESCRIPTION	Q.ty	Frame N.	
					From	To
	1	250.41.5200	Crankcase clutch side	1	0001001	
	2	250.41.5100	Crankcase magneto side	1	0001001	
	X3	250.41.5300	Centre gasket	1	0001001	
	4	968.02.1269	Dowel pin Ø 12 x 69 mm.	3	0001001	
	X5	250.41.6101	Clutch case cover	1	0002105	
		250.41.6100	Clutch case cover	1	0001001	0002104
	✓6	155.41.6200	Clutch case gasket	1	0001001	
	X7	250.41.6000	Magneto case cover	1	0001001	
	8	155.44.5850	Clutch-bracket	1	0001001	
	9	958.16.5406	Washer Ø 6	2	0001001	
	10	915.10.0620	Bolt M 6 x 20	2	0001001	
	11	155.44.5860	Clutch lever	1	0001001	
	12	155.44.5870	Clutch lever axle	1	0001001	
	13	967.01.5008	Circlip Ø 8	2	0001001	
	14	155.44.5880	Bolt	1	0001001	
	15	957.05.1406	Nut M 6	1	0001001	
	16	155.44.5900	Clutch pin	1	0001001	
	15	966.00.5004	Oil seal	1	0001001	
	18	155.44.5910	Clutch lever return spring	1	0001001	
	19	155.44.5990	Cable adjuster peg	1	0001001	
	20	155.41.6300	Oil feed plate	1	0001001	
	21	958.35.5404	Washer Ø 4	3	0001001	
	22	912.41.0410	Bolt M 4 x 10	3	0001001	
	23	155.41.6350	Oil filler plug	1	0001001	
	24	155.41.6360	Oil filler plug gasket	1	0001001	
	25	912.03.0810	Bolt M 8 x 10 drain plug	1	0001001	
	26	155.41.6410	Bolt drain plug gasket	1	0001001	
	27	155.41.6450	Bolt M 6 x 6	1	0001001	
	28	155.41.6460	Gasket inspection bolt Ø 6 mm.	1	0001001	
	29	155.45.5520	Flywheel rubber holder	1	0001001	
	30	915.10.0670	Bolt M 6 x 70	4	0001001	
	31	915.10.0640	Bolt M 6 x 40	9	0001001	
	32	925.10.0635	Bolt M 6 x 35	10	0001001	
	-	250.41.6250	Gasket series (in envelope)	1	0001001	
	-	155.41.6260	Oil seal series (in envelope)	1	0001001	



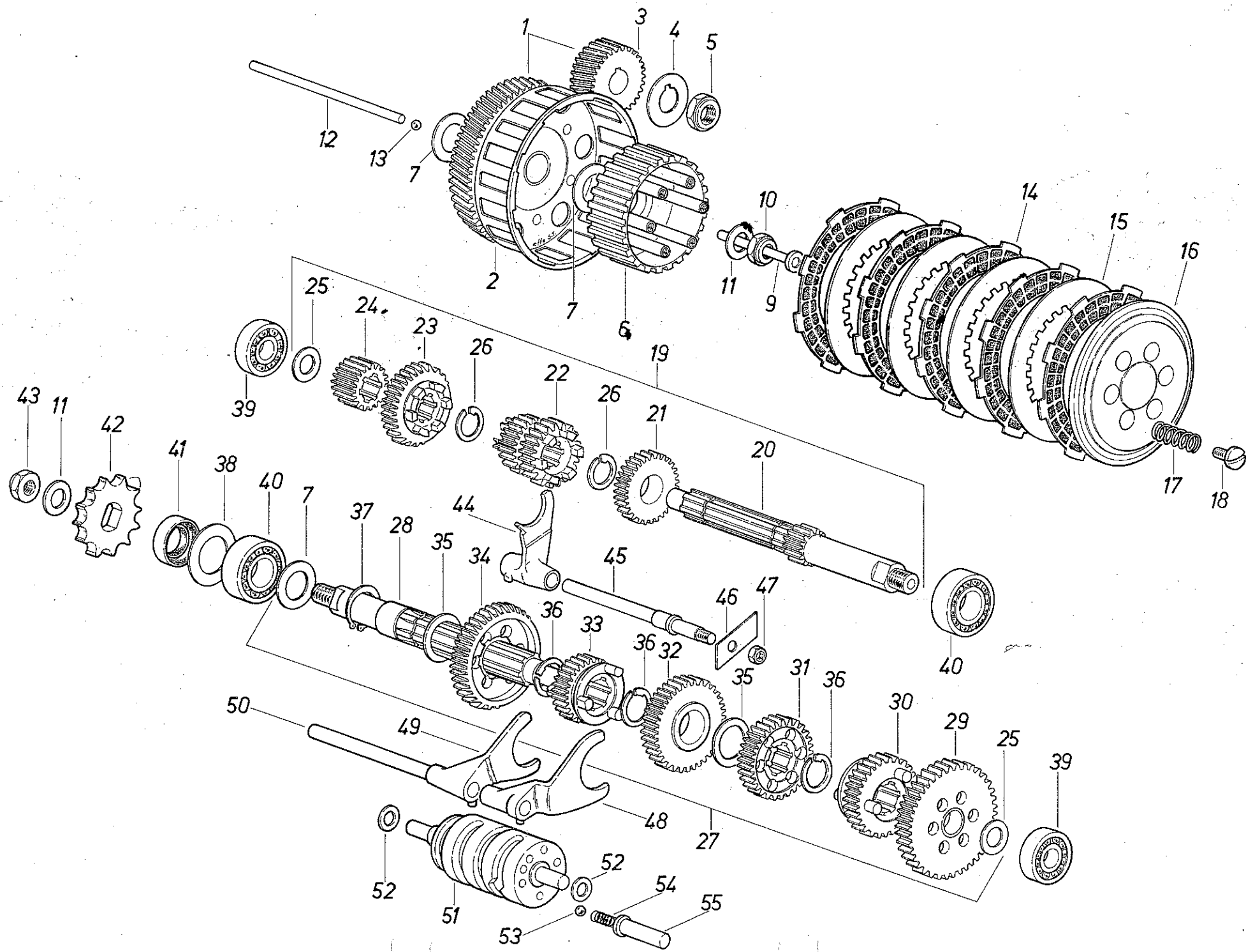
Int.	Fig. N.	CODE N.	DESCRIPTION	Q.ty	Frame N.	
					From	To
	X -	250.42.5000	Crankshaft	1	0001001	
	1	250.42.5100	Half-shaft R/H	1	0001001	
	2	250.42.5200	Half-shaft L/H	1	0001001	
	3	250.42.5550	Axle	1	0001001	
	4	155.42.5500	Connecting rod small and bearing	1	0001001	
	5	250.42.5300	Connecting rod complete	1	0001001	
	X6	155.42.5600	Small and bearing	1	0001001	
	X7	250.47.5600	Gudgeon pin	1	0001001	
	8	250.47.5650	Circlip	1	0001001	
	X9	250.47.5200	Piston complet	2	0001001	
	X10	250.47.5400	Piston ring on "L"	1	0001001	
	11	155.41.5400	Main bearing Ø 20 x 52 x 15 - RIV 6304/C 303	1	0001001	
	X12	155.41.5500	Oil seal Ø 20 x 42 x 10 in VITON	2	0001001	
	13	250.42.5090	Thrust washer	2	0001001	
	14	250.42.5190	Flywheel	1	0001001	
	X15	250.44.5150	Woodruft-Key	1	0001001	
	X16	155.45.5510	Woodruft-Key	1	0001001	
	17	958.15.5410	Washer Ø 10	1	0001001	
	18	155.45.5500	Flywheel nut (for flywheel magneto "DUCATI")	1	0001001	
	18	250.45.5500	Flywheel nut (for flywheel magneto "DANSI")	1	0001001	



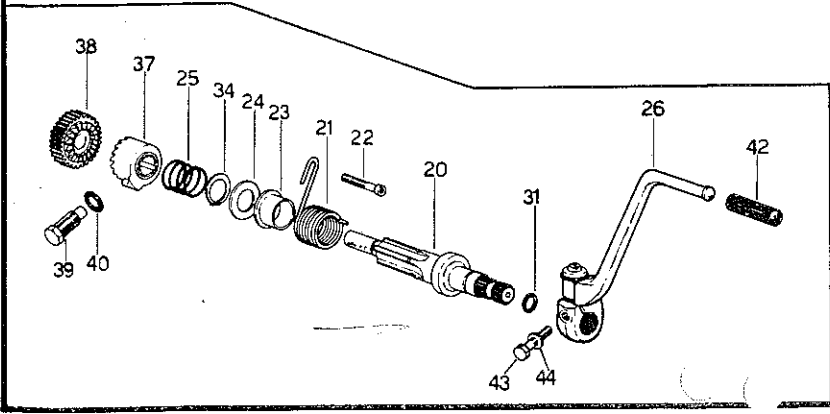
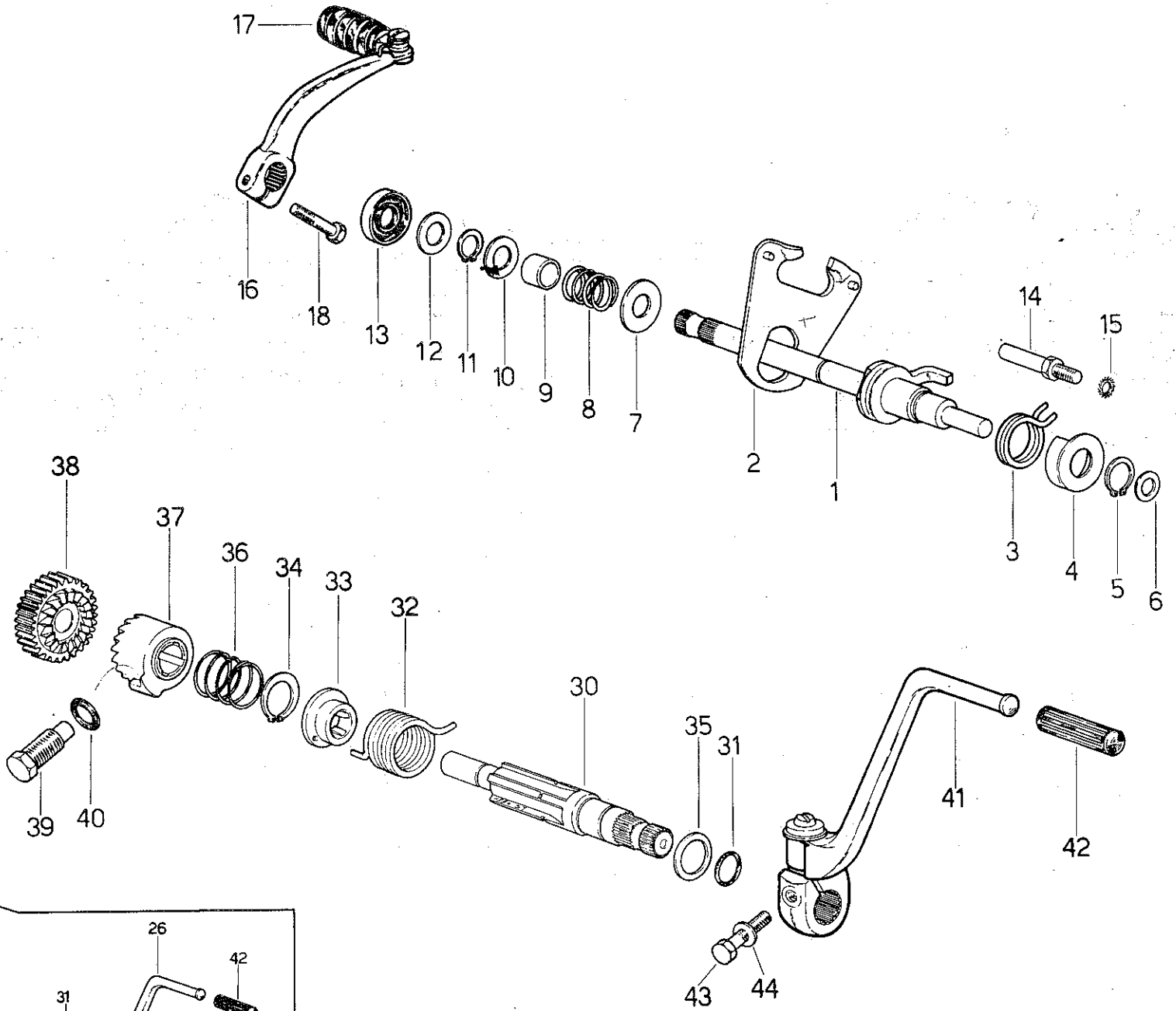
Int.	Fig. N.	CODE N.	DESCRIPTION	Q.ty	Frame N.	
					From	To
	✓ 1	250.47.5000	Cylinder complete	1	0001001	
	2	250.47.5800	Cylinder head	1	0001001	
	3	250.47.5700	Base gasket	1	0001001	
	✗ 4	250.47.5750	Head gasket	1	0001001	
	✓ 5	250.47.5900	Cylinder stud	4	0001001	
	6	250.47.5950	Bush	4	0001001	
	7	250.47.5970	Washer	4	0001001	
	✗ 8	250.47.5960	Nut	4	0001001	
	9	250.45.6000	Spark plug CHAMPION L 86	1	0001001	
	10	250.47.6100	Damper rubber for cylinder	4	0001001	
	11	250.47.6110	Damper rubber for head	4	0001001	
	12	250.48.5050	Inlet manifold	1	0001001	
	✗ 13	250.48.5060	Seal ring "OR"	1	0001001	
	14	957.40.1308	Self locking nut M 8	2	0001001	
	✓ 15	250.48.5100	Rubber hose for carburettor	1	0001001	
	16	150.10.7001	Clamp	1	0001001	



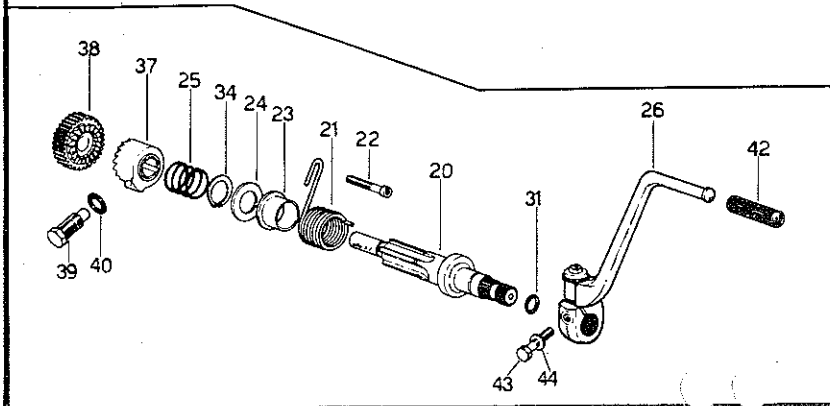
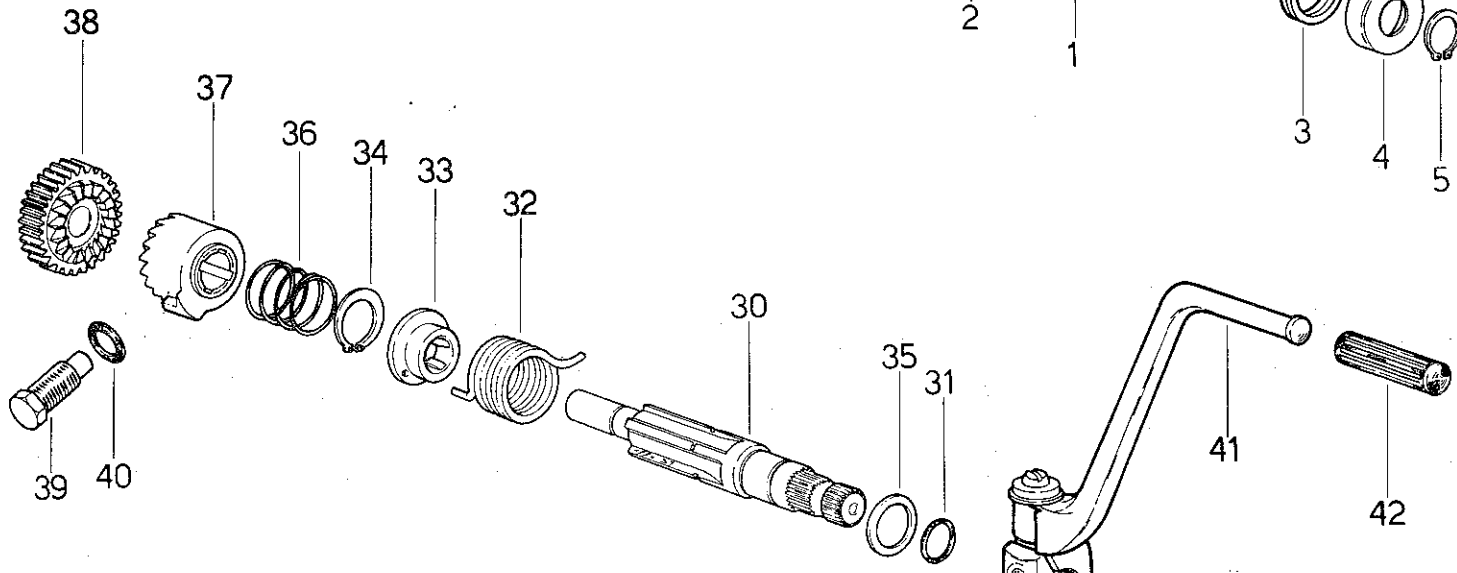
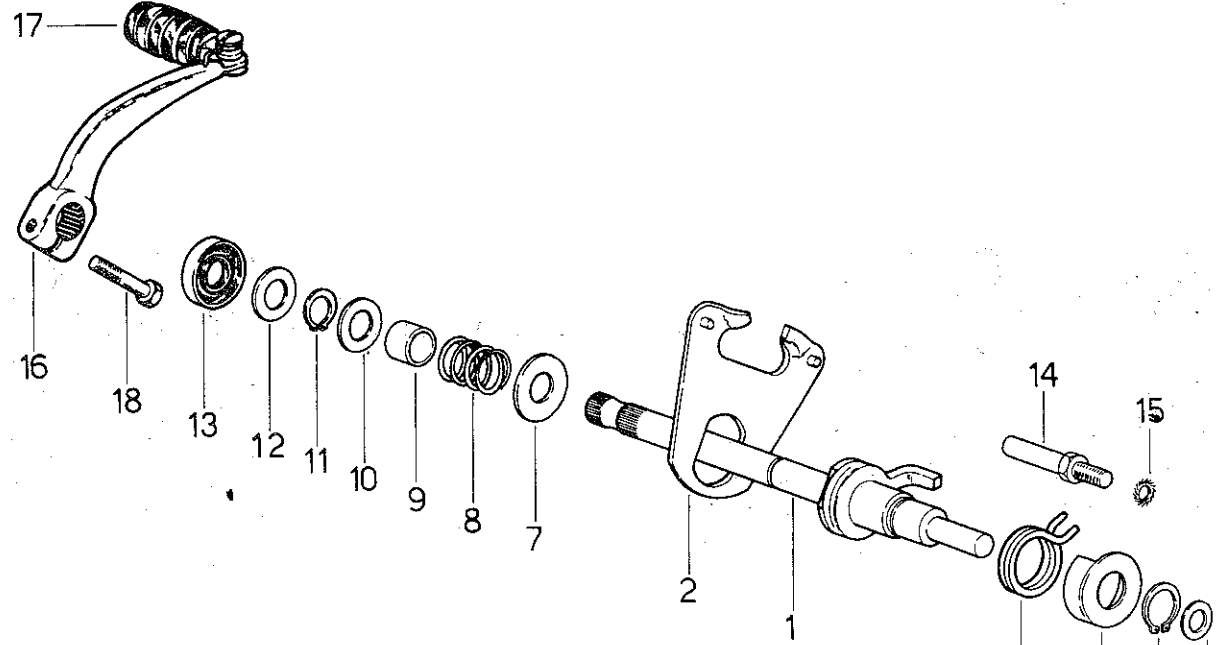
Int.	Fig. N.	CODE N.	DESCRIPTION	Q.ty	Frame N.	
					From	To
	1	250.44.5000	Primary drive complete	1	0001001	
	2	250.44.5300	Clutch drum with gear wheel	1	0001001	
	3	250.44.5100	Engine sprocket	1	0001001	
	4	250.44.5210	Engine sprocket washer	1	0001001	
	5	250.44.5200	Engine sprocket nut	1	0001001	
	6	155.44.5350	Clutch hub	1	0001001	
	7	155.43.8030	Thrust washer \varnothing 17 x 30	3	0001001	
	9	155.44.5710	Pressure push rod	1	0001001	
	10	155.44.5400	Nut M 12	1	0001001	
	11	155.44.5410	Plain washer \varnothing 12 x 20	2	0001001	
	X12	250.44.5700	Push rod	2	0001001	
	X13	160.02.5980	Ball \varnothing 3/16"	1	0001001	
	X14	250.44.5450	Fibre plate	5	0001001	
	X15	155.44.5460	Metal plate	4	0001001	
	16	250.44.5500	Top plate	1	0001001	
	X17	160.44.5561	Spring	6	0001001	
	18	155.44.5570	Bolt for spring	6	0001001	
	-	250.43.5000	Gear box speed complete	1	0001001	
	19	250.43.5100	Main shaft complete	1	0001001	
	20	250.43.5200	Main shaft bare Z=11	1	0001001	
	21	250.43.5350	Main shaft 5th gear Z=25	1	0001001	
	22	250.43.5400	Main shaft 3rd and 4th gear Z=18-21	1	0001001	
	23	250.43.5360	Main shaft 6th gear Z=28	1	0001001	
	X24	250.43.5320	Main shaft 2nd gear Z=14	1	0001001	
	25	250.43.8060	Thrust washer	2	0001001	
	26	155.43.6000	Circlips \varnothing 18	2	0001001	
	27	250.43.5500	Counter shaft complete	1	0001001	
	28	250.43.5600	Counter shaft bare	1	0001001	
	X29	250.43.5710	Counter shaft 1st gear Z=39	1	0001001	
	30	250.43.5750	Counter shaft 5th gear Z=25	1	0001001	
	31	250.43.5740	Counter shaft 4th gear Z=29	1	0001001	
	32	250.43.5730	Counter shaft 3rd gear Z=33	1	0001001	
	33	250.43.5760	Counter shaft 6th gear Z=21	1	0001001	
	X34	250.43.5720	Counter shaft 2nd gear Z=35	1	0001001	
	35	250.43.8070	Thrust washer	2	0001001	
	36	250.43.6000	Circlip \varnothing 20	3	0001001	
	37	967.01.5020	Circlip \varnothing 20	1	0001001	



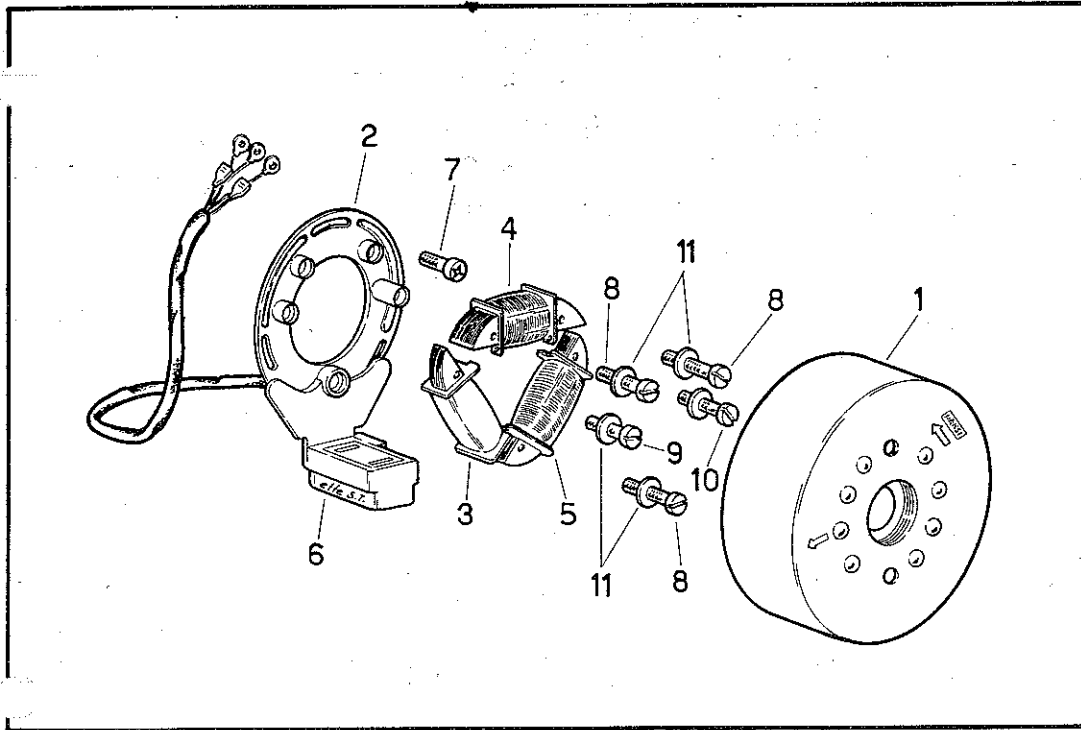
Int.	Fig. N.	CODE N.	DESCRIPTION	Q.ty	Frame N.	
					From	To
	38	155.43.8040	Thrust washer \emptyset 26 x 40 x 1	1	0001001	
	39	155.41.5600	Bearings \emptyset 12 x 32 x 10 - RIV 6201/C 3	2	0001001	
	40	155.41.5610	Bearings \emptyset 17 x 40 x 12 - RIV 6203/C 3	2	0001001	
	41	155.41.5800	Oil seal \emptyset 17 x 28 x 7	1	0001001	
	42	250.43.7110	Gear box chain sprocket Z=11 (1/2 x 5/16")	1	0001001	
	43	957.43.1312	Gear box chain sprocket nut	1	0001001	
	44	250.43.6120	Selector fork 5th and 6th gear	1	0001001	
	45	155.43.6200	Selector fork guide rod	1	0001001	
	46	155.43.6250	Selector fork guide rod plate	1	0001001	
	47	958.02.1408	Selector fork guide rod nut	1	0001001	
	48	155.43.6100	Selector fork 1st and 4th gear	1	0001001	
	49	250.43.6110	Selector fork 2nd and 3rd gear	1	0001001	
	50	155.43.6210	Selector fork guide rod	1	0001001	
	51	250.43.6050	Gear change tumbler	1	0001001	
	52	155.43.8050	Thrust washer	2	0001001	
	53	155.43.6310	Ball \emptyset 5/16"	1	0001001	
	54	155.43.6300	Selector spring	1	0001001	
	55	155.41.5900	Selector spring retainer cup	1	0001001	



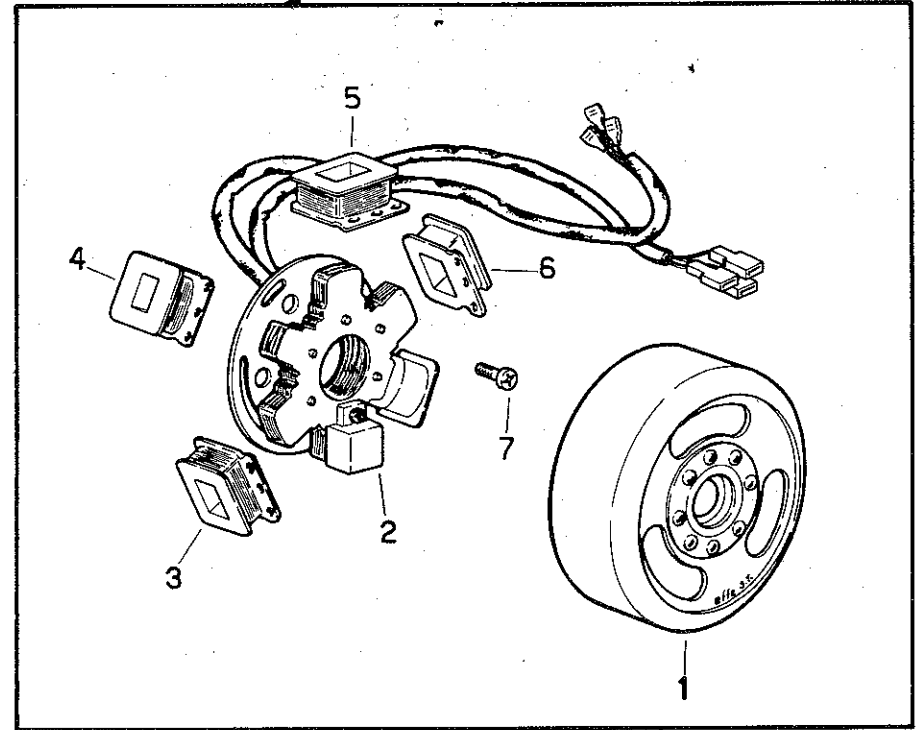
Int.	Fig. N.	CODE N.	DESCRIPTION	Q.ty	Frame N.	
					From	To
	1	155.46.6050	Gear change shaft	1	0001001	
	X2	155.46.6100	Main selector fork	1	0001001	
	X3	155.46.6400	Return spring	1	0001001	
	4	155.46.6410	Spring cap	1	0001001	
	5	967.01.5015	Circlip Ø 15	1	0001001	
	6	155.43.8050	Thrust washer	1	0001001	
	7	155.46.6150	Washer	1	0001001	
	8	155.46.6190	Spring	1	0001001	
	9	155.46.6200	Spacer bush	1	0001001	
	10	250.43.8065	Thrust washer	1	0001001	
	11	967.01.5012	Circlip Ø 12	1	0001001	
	12	155.43.8010	Thrust washer	1	0001001	
	13	155.41.5890	Oil seal	1	0001001	
	14	155.46.6420	Return spring post.	1	0001001	
	15	958.30.5407	Washer Ø 7	1	0001001	
	X16	250.46.6500	Gear lever	1	0001001	
	17	250.46.6550	Gear lever rubber	1	0001001	
	18	915.03.0625	Bolt M 6 x 25	1	0001001	
	20	155.46.5000	Kick start shaft	1	0001001	0002104
	X21	155.46.5390	Kick start return spring	1	0001001	0002104
	22	925.10.0630	Bolt M 6 x 30	1	0001001	0002104
	23	155.46.5260	Retainer cap	1	0001001	0002104
	24	155.46.5270	Thrust washer	1	0001001	0002104
	25	155.46.5250	Return gear spring	1	0001001	0002104
	26	200.13.5090	Kick start	1	0001001	0002104
	30	155.46.5001	Kick start shaft	1	0002105	
	31	155.46.5050	Seal ring	1	0001001	
	X32	160.46.5390	Kick start return spring	1	0002105	
	33	250.46.5280	Retainer cap	1	0002105	
	34	967.01.5418	Circlip Ø 18	1	0001001	
	35	173.46.7190	Thrust washer	1	0002105	
	36	160.46.5250	Return gear spring	1	0002105	
	37	155.46.5150	Clutch coupling	1	0001001	
	X38	250.46.5100	Kick start gear	1	0001001	



Int.	Fig. N.	CODE N.	DESCRIPTION	Q.ty	Frame N.	
					From	To
	39	155.46.5200	Bolt	1	0001001	
	40	155.46.5210	Oil seal	1	0001001	
	41	250.46.5400	Kick start	1	0002105	
	42	091.10.5740	Kick start rubber	1	0001001	
	43	915.01.0830	Bolt M 8 x 30	1	0001001	
	44	958.01.1108	Plain washer Ø 8	1	0001001	

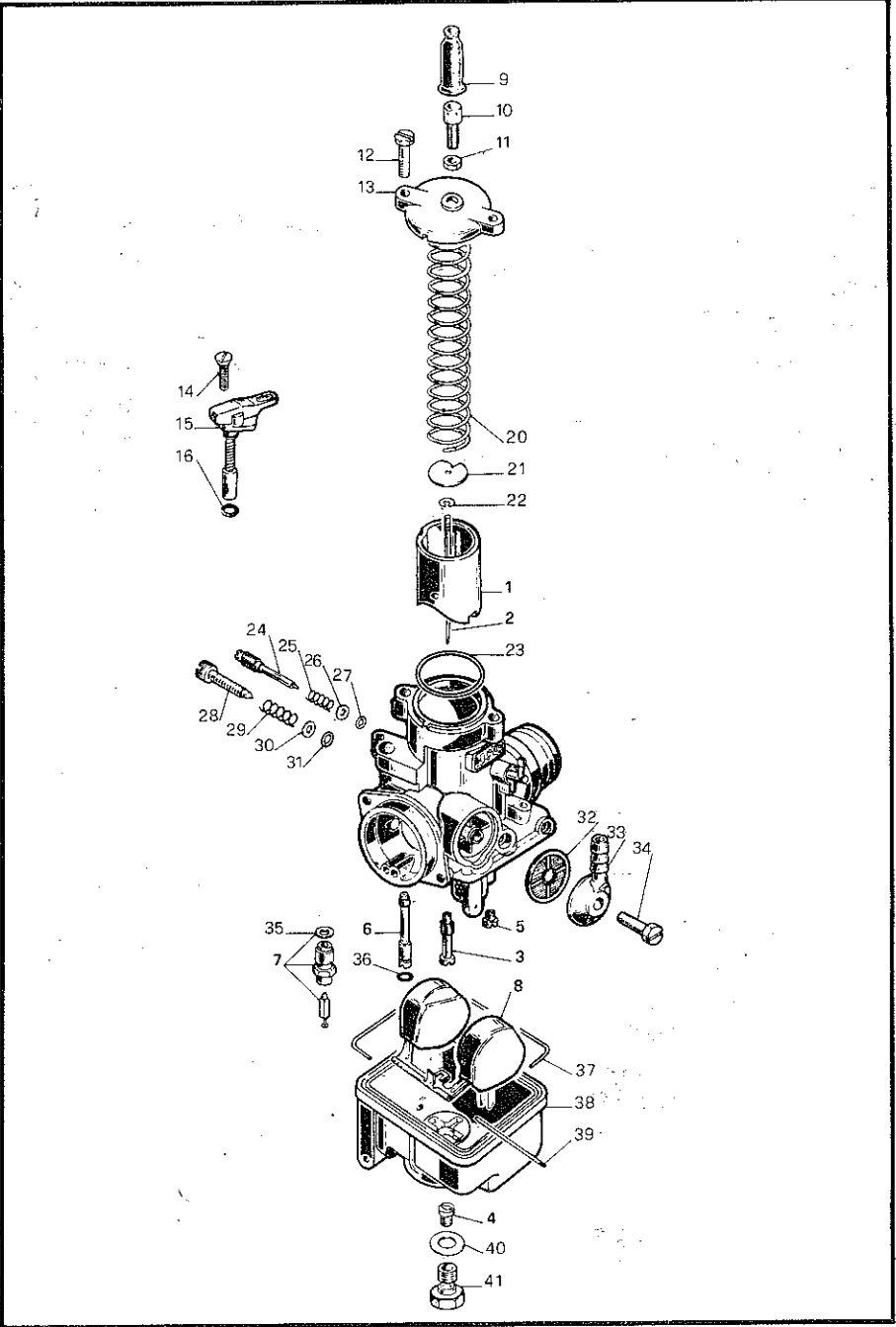


FLYWHEEL MAGNETO «DANSITRONIC»



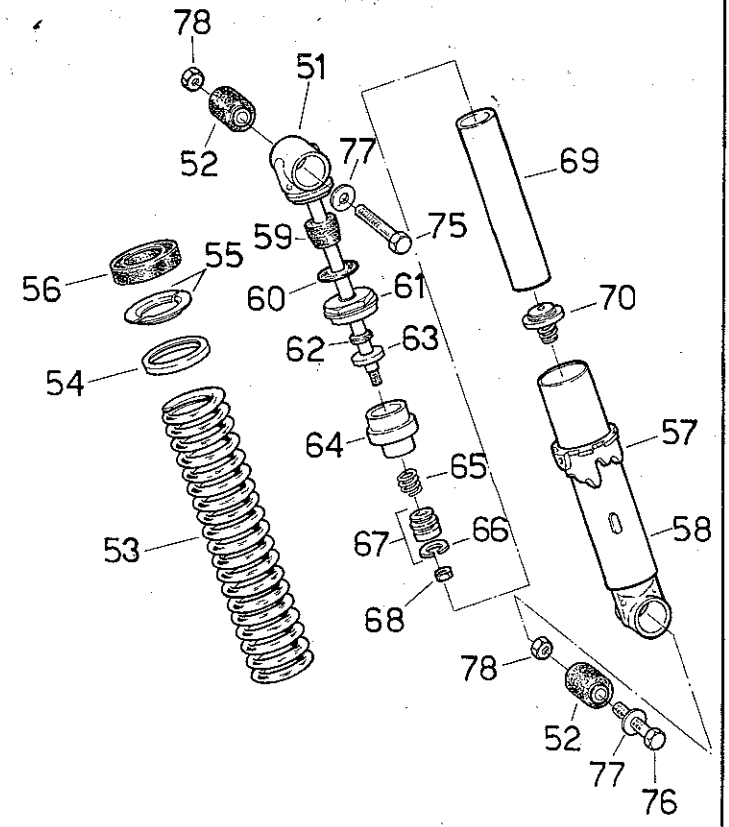
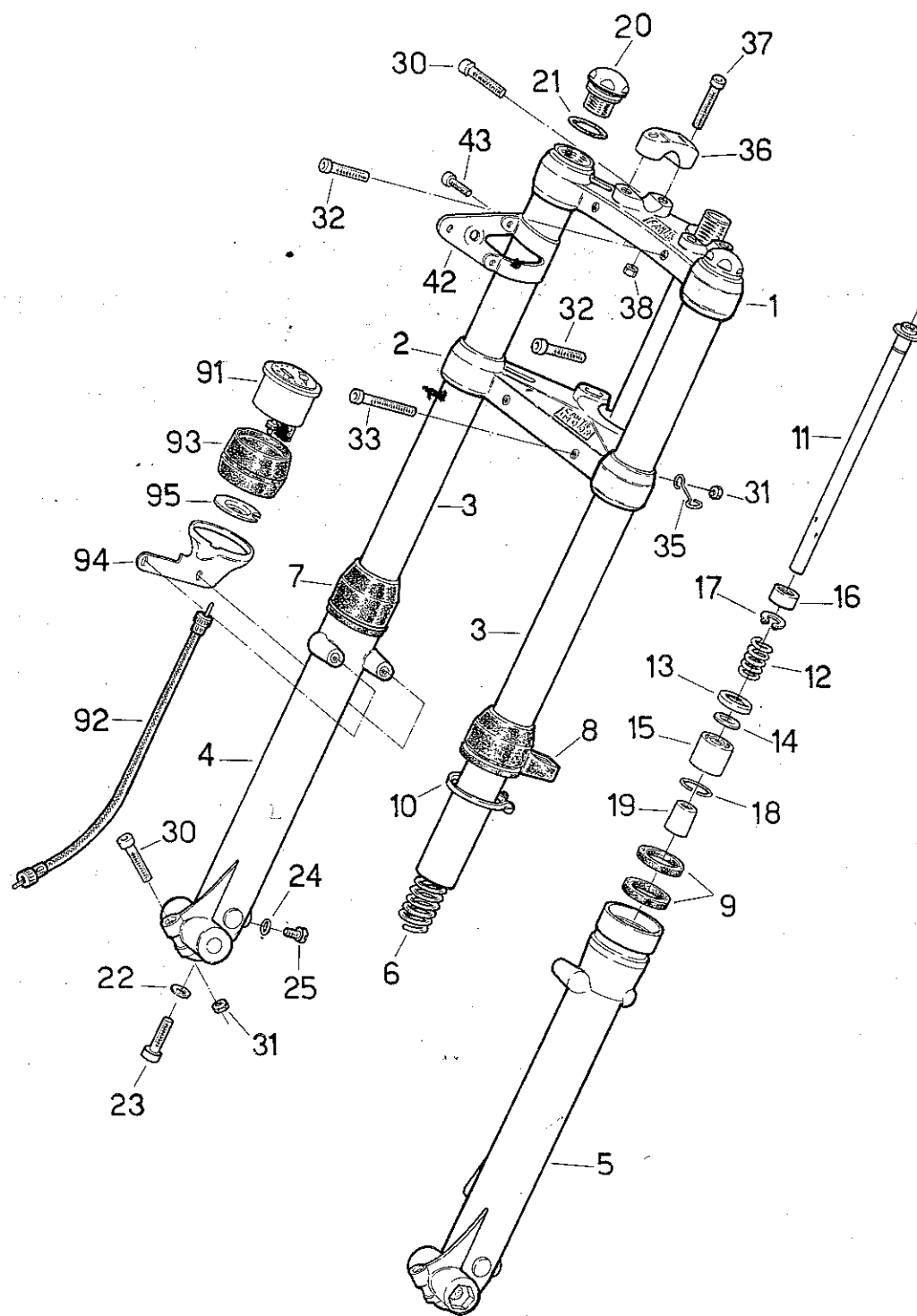
FLYWHEEL MAGNETO «DUCATI»

Int.	Fig. N.	CODE N.	DESCRIPTION	Q.ty	Frame N.	
					From	To
			<u>FLYWHEEL MAGNETO DANSITRONIC Mod. 101.695</u>			
	-	250.45.5010	Flywheel magneto complet	1	0001001	
	1	250.45.5050	Inductor	1	0001001	
	2	250.45.5110	Stator plate	1	0001001	
	3	250.45.5300	Coil charge condensor	1	0001001	
	4	250.45.5250	Coil lighting	1	0001001	
	5	250.45.5270	Coil lighting "stop"	1	0001001	
	6	250.45.5140	Catcher	1	0001001	
	7	912.40.0410	Stator plate bolt M 4 x 10	3	0001001	
	8	912.30.0425	Coil bolt M 4 x 25	3	0001001	
	9	912.30.0418	Coil bolt M 4 x 18	1	0001001	
	10	912.30.0422	Coil bolt M 4 x 22	1	0001001	
	11	958.36.5404	Washer Ø 4	5	0001001	
	-	250.45.5100	Stator plate complet	1	0001001	
			<u>FLYWHEEL MAGNETO DUCATI Mod. 4031.96.3100</u>			
	-	250.45.5000	Flywheel magneto complet	1	0001001	
	1	250.45.5060	Inductor	1	0001001	
	2	250.45.5120	Stator plate with catcher	1	0001001	
	3	250.45.5240	Coil lighting	1	0001001	
	4	250.45.5260	Coil lighting	1	0001001	
	5	250.45.5290	Coil lighting	1	0001001	
	6	250.45.5280	Coil lighting	1	0001001	
	7	912.40.0410	Stator plate bolt M 4 x 10	3	0001001	
	-	250.45.5090	Stator plate complet	1	0001001	

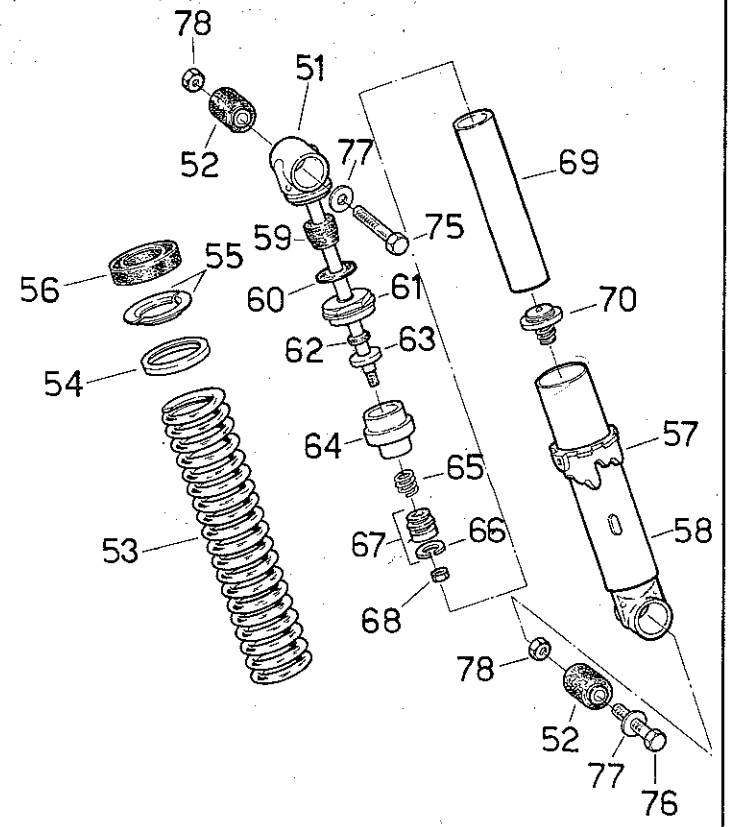
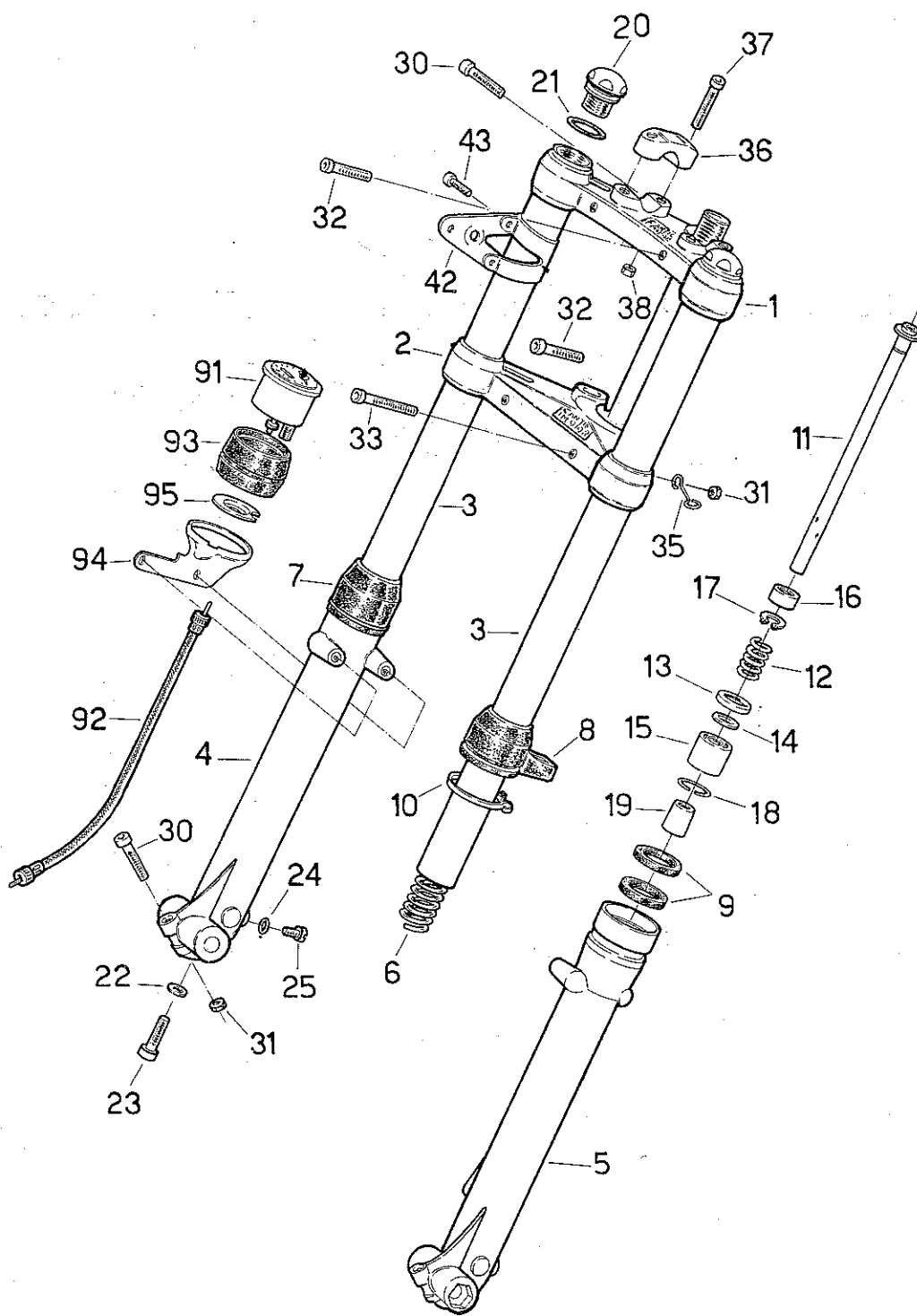


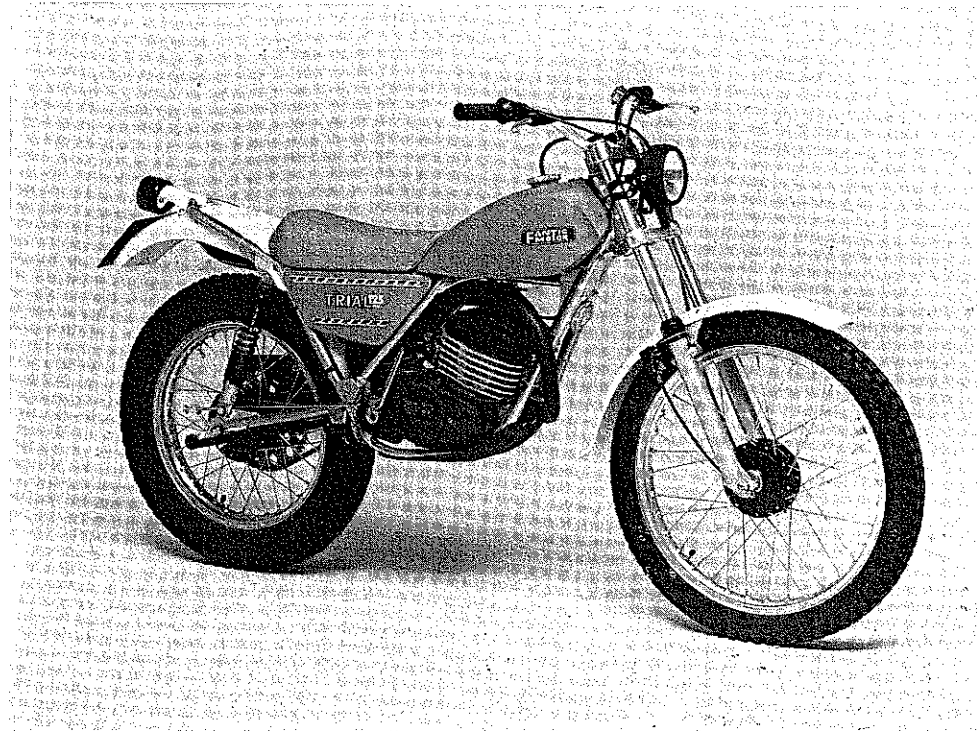
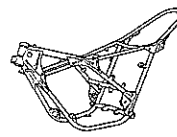
Int.	Fig. N.	CODE N.	DESCRIPTION	Q.ty	Frame N.	
					From	To
	-	250.48.5000	Carburettor DELLORTO PHBL 24 BS complet	1	0001001	
	X 1	979.64.5040	Throttle valve 64	1	0001001	
	2	972.26.5022	Taper-needle 08	1	0001001	
	3	979.56.4266	Pulverizer 28	1	0001001	
	4	976.41.3095	Main jet 02	1	0001001	
	5	971.48.6045	Needle jet 02	1	0001001	
	6	977.74.6060	Choke jet 02	1	0001001	
	X 7	979.43.6000	Float valve set 33	1	0001001	
	8	979.01.0083	Float 80	1	0001001	
	9	070.04.6180	Rubber cable protection	1	0001001	
	10	971.10.4000	Cable adjuster 37	1	0001001	
	11	971.69.1000	Cable adjuster nut 27	1	0001001	
	12	978.54.2000	Top cap bolt 36	2	0001001	
	13	979.56.1000	Top cap 53	1	0001001	
	14	977.74.5000	Top cap for starter valve 36	1	0001001	
	15	978.29.4000	Starter valve 64	1	0001001	
	16	978.29.7000	Seal ring 30	1	0001001	
	20	979.64.4000	Throttle valve return spring 61	1	0001001	
	21	979.56.3000	Bearing plate 21	1	0001001	
	22	979.59.6000	Circlip 21	1	0001001	
	X 23	976.01.3000	Top cap gasket 30	1	0001001	
	X 24	977.44.9000	Idle adjusting screw 37	1	0001001	
	X 25	977.44.6000	Adjusting screw spring 61	1	0001001	
	26	974.65.0000	Plain washer 23	1	0001001	
	27	978.67.8000	Seal ring 30	1	0001001	
	X 28	977.67.3000	Throttle valve adjusting screw 37	1	0001001	
	X 29	974.67.0000	Adjusting screw spring 61	1	0001001	
	30	978.26.0000	Plain washer 23	1	0001001	
	31	977.54.0000	Seal ring 30	1	0001001	
	32	976.10.9000	Filter 29	1	0001001	
	33	979.25.0000	Hose swivel 38	1	0001001	
	34	974.56.8000	Hose swivel bolt 36	1	0001001	
	35	976.28.8000	Float valve gasket 30	1	0001001	
	36	976.17.3000	Choke jet seal ring 30	1	0001001	
	X 37	979.42.4000	Float chamber gasket 30	1	0001001	
	38	979.42.6000	Float chamber 96	1	0001001	
	39	977.34.6000	Pin for float 22	1	0001001	
	40	976.26.6000	Plug float chamber gasket 30	1	0001001	
	41	976.26.7000	Plug float chamber 34	1	0001001	

Int.	Fig. N.	CODE N.	DESCRIPTION	Q.ty	Frame N.	
					From	To
	70	140.20.5140	Bolt M 8 x 100	1	0001001	
	71	915.01.0890	Bolt M 8 x 90	2	0001001	
	72	958.01.1108	Plain washer Ø 8	3	0001001	
	73	957.40.1308	Self locking nut M 8	3	0001001	
	75	250.11.5700	Horn	1	0001001	
	76	912.03.0614	Bolt M 6 x 14	1	0001001	
	80	155.05.5020	Rubber pad front	2	0001001	
	81	250.05.5211	Rubber pad upper	1	0001911	
		250.05.5210	Rubber pad upper	1	0001001	0001910
	82	155.05.5310	Spacer bush	1	0001001	
	83	155.05.5260	Rubber washer	1	0001001	
	84	155.05.5280	Washer	1	0001001	
	85	912.71.0625	Fuel tank bolt M 6 x 25	1	0001001	
	86	250.05.5190	Rubber pad rear	1	0001001	
	90	912.40.0620	Rubber mudguard bolt M 6 x 20	3	0001001	
	91	250.09.5380	Plain washer Ø 6 x 16	6	0001001	
	92	957.40.1306	Self locking nut M 6	3	0001001	
	95	150.45.5650	H.T. coil external "DUCATI"	1	0001001	
	96	150.11.6740	H.T. coil rubber protection	1	0001001	
X	100	250.45.5650	H.T. coil external "DANSI"	1	0001001	
	101	160.11.6790	Ring nut	1	0001001	
	102	160.11.6760	Ring nut rubber	1	0001001	
	105	912.03.0618	H.T. coil bolt M 6 x 18	2	0001001	
	106	958.01.1106	Plain washer Ø 6	4	0001001	
	107	957.40.1306	Self locking nut M 6	2	0001001	
	108	090.11.6700	Cable H.T.	1	0001001	
	109	150.11.6750	Suppressor cap	1	0001001	



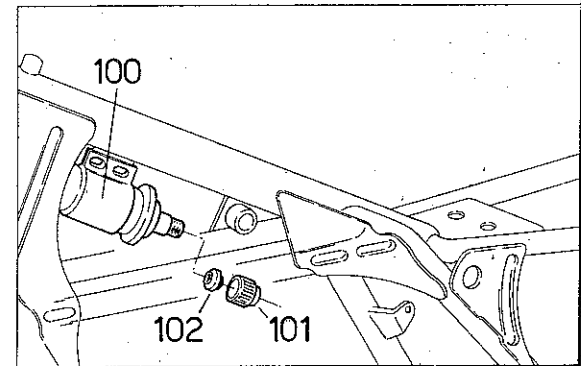
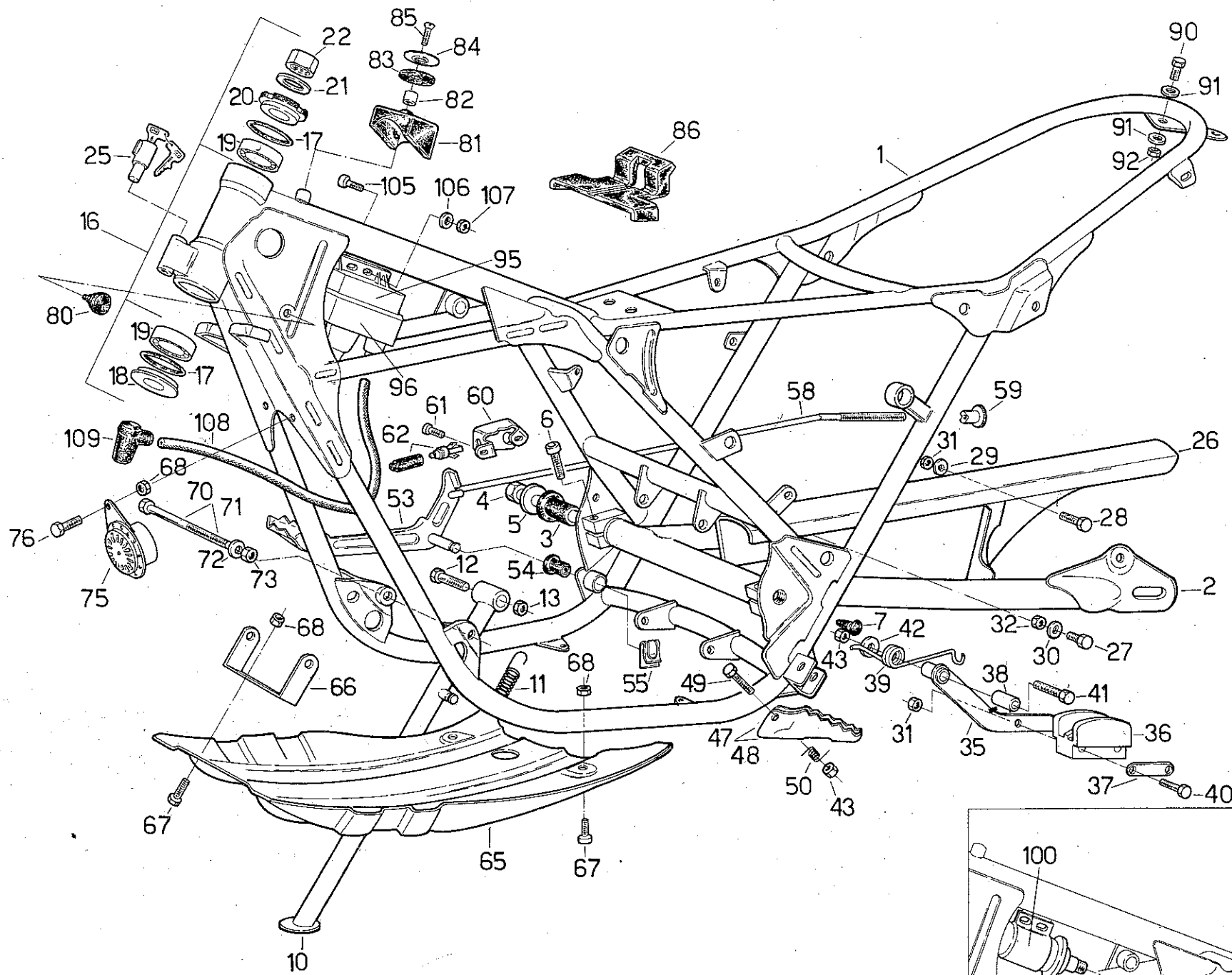
Int.	Fig. N.	CODE N.	DESCRIPTION	Q.ty	Frame N.	
					From	To
	-	250.02.5000	Fork complete	1	0001001	
	-	250.02.5810	Fork leg complete R/H	1	0001001	
	-	250.02.5800	Fork leg complete L/H <i>Rqd in vol. 11</i>	1	0001001	
	1	250.02.5270	Upper fork plate	1	0001001	
	2	250.02.5290	Fork plate with steering tube	1	0001001	
	3	250.02.5020	Upper fork leg	2	0001001	
	4	250.02.5310	Fork tube lower R/H	1	0001001	
	5	250.02.5350	Fork tube lower L/H	1	0001001	
	6	250.02.5040	Fork spring	2	0001001	
	7	250.02.5710	Dust cover R/H	1	0001001	
	8	250.02.5390	Dust cover L/H	1	0001001	
	9	250.02.5480	Oil seal	4	0001001	
	10	250.02.5330	Retainer ring	2	0001001	
	11	250.02.5370	Fork spring damper bare	2	0001001	
	12	250.02.5580	Fork spring lower	2	0001001	
	13	250.02.5570	Packing ring	2	0001001	
	14	250.02.5590	Washer	2	0001001	
	15	250.02.5560	Oil filler tube	2	0001001	
	16	250.02.5550	Piston	2	0001001	
	17	967.01.5012	Circlip	2	0001001	
	18	967.05.5028	Ring	2	0001001	
	19	250.02.5170	Bush	2	0001001	
	20	250.02.5050	Fork leg cap	2	0001001	
	21	966.00.5330	Seal ring	2	0001001	
	22	250.02.5180	Gasket	2	0001001	
	23	915.10.1030	Bolt M 10 x 30	2	0001001	
	24	966.00.5012	Seal ring	2	0001001	
	25	912.40.0508	Filler oil bolt M 5 x 8	2	0001001	
	30	915.10.0835	Bolt M 8 x 35	3	0001001	
	31	957.40.1308	Self locking nut M 8	3	0001001	
	32	915.10.0840	Bolt M 8 x 40	3	0001001	
	33	250.02.6020	Bolt M 8 x 50	1	0001001	
	35	250.02.6151	Cable holder	1	0001001	
	36	250.02.5280	Handlebar clamp	2	0001001	
	37	915.10.0645	Handlebar bolt M 6 x 45	4	0001001	
	38	957.01.1406	Self locking nut M 6	4	0001001	
	42	250.02.5320	Headlamp bracket	2	0001001	
	43	912.40.0508	Headlamp bracket bolt M 5 x 8	4	0001001	





TX - 250 Trial 125 cc

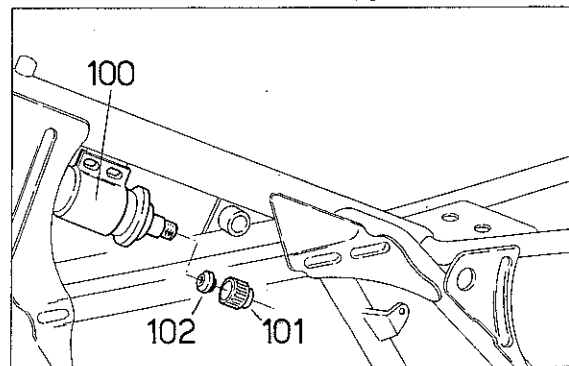
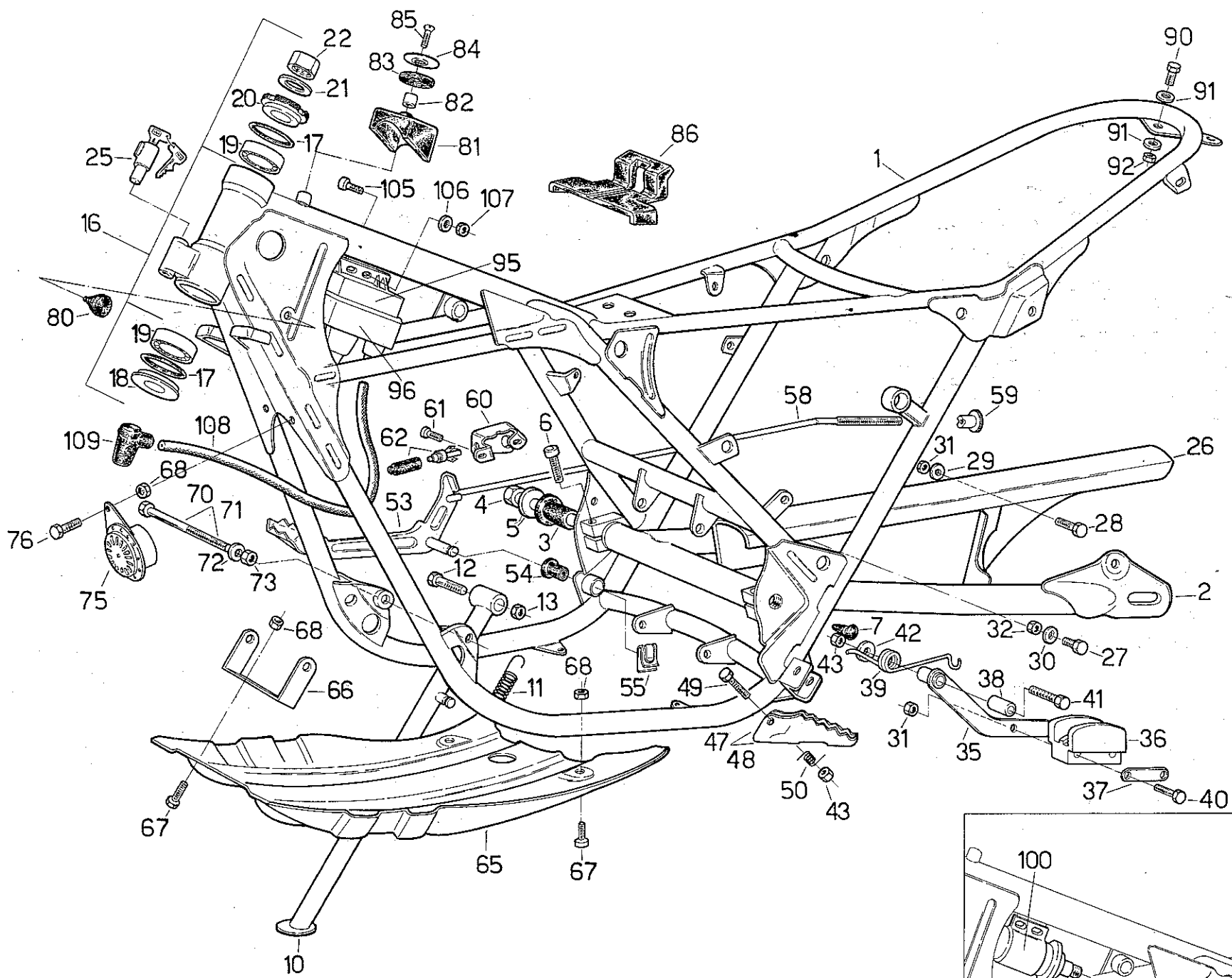
FANTIC
FMOTOR



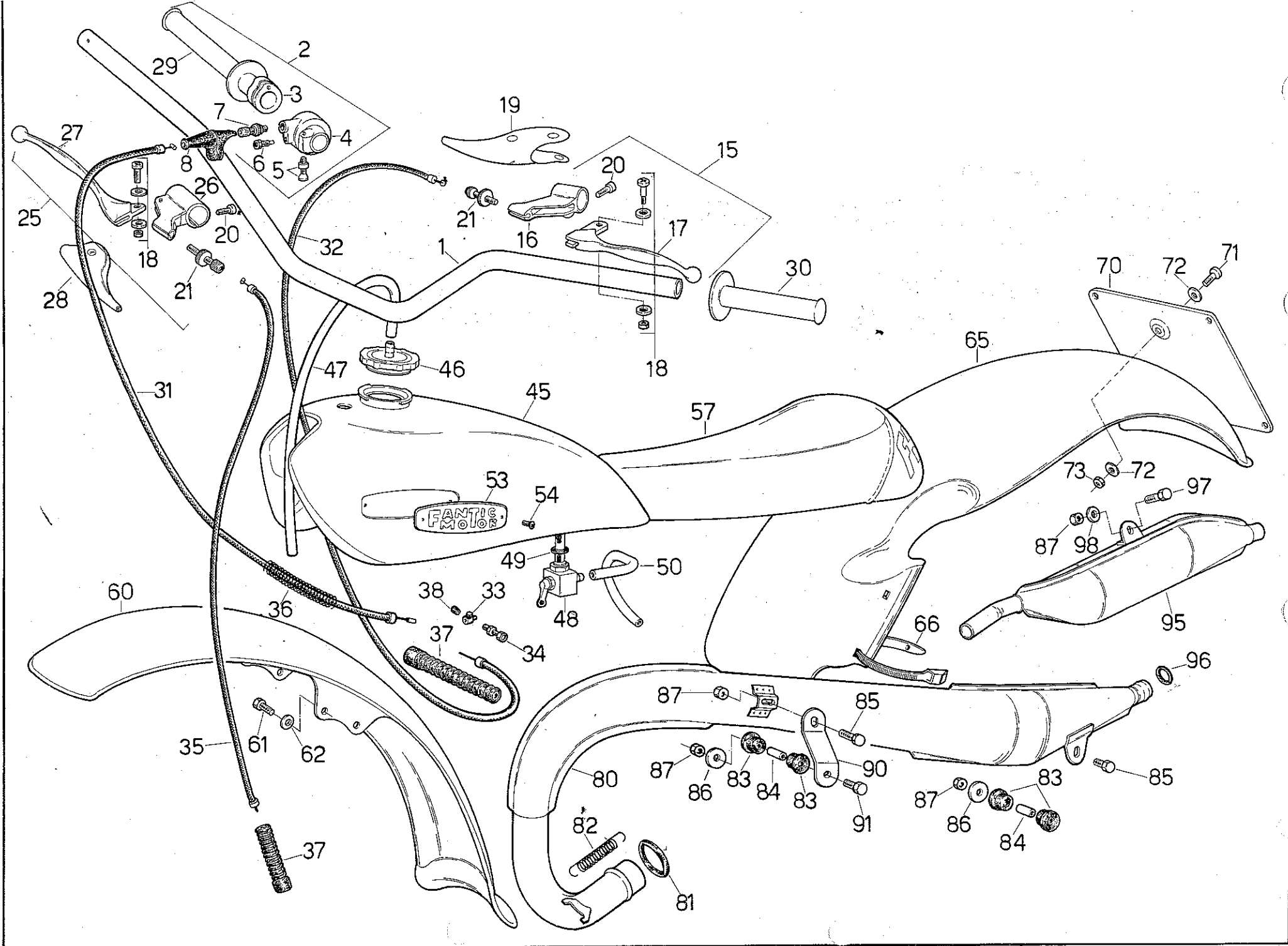
Int.	Fig. N.	CODE N.	DESCRIPTION	Q.ty	Frame N.	
					From	To
	1	250.01.5001	Frame complete	1	0001911	
		250.01.5000	Frame complete	1	0001001	0001910
	2	250.01.5100	Rear fork	1	0001001	
	X3	160.01.5110	Bush for rear fork	2	0001001	
	4	250.01.5180	Rear fork axle	1	0001001	
	5	160.01.5150	Plain washer	1	0001001	
	6	915.10.0830	Bolt M 8 x 30	2	0001001	
	7	250.01.5620	Rubber cap	1	0001001	
	10	250.03.5300	Prop stand	1	0001001	
	11	250.03.5100	Prop stand return spring	1	0001001	
	12	915.01.0835	Prop stand bolt M 8 x 35	1	0001001	
	13	957.42.1308	Self locking nut M 8	1	0001001	
	16	250.02.5200	Steering set complete	1	0001001	
	X17	966.00.5800	Sealing ring	2	0001001	
	18	155.02.5900	Sealing ring bush	1	0001001	
	19	155.02.5770	Taper roller bearings	2	0001001	
	20	155.02.5910	Lock nut	1	0001001	
	21	150.02.5250	Plain washer	1	0001001	
	22	250.02.5240	Fork column nut	1	0001001	
	25	172.01.5700	Steering look complete of 2 key	1	0001001	
	X26	250.09.5190	Chain guard	1	0001001	
	27	912.03.0616	Chain guard bolt M 6 x 16	1	0001001	
	28	912.03.0512	Chain guard bolt M 5 x 12	2	0001001	
	29	160.05.5320	Plain washer Ø 5 x 16	2	0001001	
	30	958.01.1106	Plain washer Ø 6	1	0001001	
	31	957.40.1305	Self locking nut M 5	4	0001001	
	32	957.42.1306	Self locking nut M 6	1	0001001	

Int.	Fig. N.	CODE N.	DESCRIPTION	Q.ty	Frame N.	
					From	To
	35	250.08.6200	Chain tensioner	1	0001001	
	X36	250.09.5261	Chain guide	1	0001001	
	37	250.08.6240	Chain tensioner plate	1	0001001	
	38	250.08.6210	Spacer bush	1	0001001	
	39	250.08.6230	Chain tensioner spring	1	0001001	
	40	912.01.0530	Chain guide bolt M 5 x 30	2	0001001	
	41	912.01.0835	Chain tensioner bolt M 8 x 35	1	0001001	
	X42	220.13.5230	Plain washer Ø 8 x 24	1	0001001	
	43	957.42.1308	Self locking nut M 8	3	0001001	
	X47	250.03.6100	Footrest peg R/H	1	0001001	
	X48	250.03.6030	Footrest peg L/H	1	0001001	
	49	915.01.0840	Footrest bolt M 8 x 40	2	0001001	
	X50	250.03.5820	Footrest peg return spring	2	0001001	
	53	250.03.5141	Rear brake pedal	1	0002105	
		250.03.5140	Rear brake pedal	1	0001001	0002104
	54	160.03.5190	Brake pedal bush	1	0001001	
	X55	250.03.5170	Brake pedal spring clip	1	0001001	
	X58	191.04.5700	Brake connecting rod	1	0001001	
	59	090.04.5710	Adjuster nut	1	0001001	
	60	250.01.5340	Brake light switch bracket	1	0001001	
	61	912.40.0508	Bracket bolt M 5 x 8	2	0001001	
	62	250.11.5560	Brake light switch complete	1	0001001	
	X65	250.10.5700	Protecting shield	1	0001001	
	66	250.10.7070	Protecting shield bracket	1	0001001	
	67	912.40.0616	Protecting shield bolt M 6 x 16	4	0001001	
	68	957.40.1306	Self locking nut M 6	5	0001001	

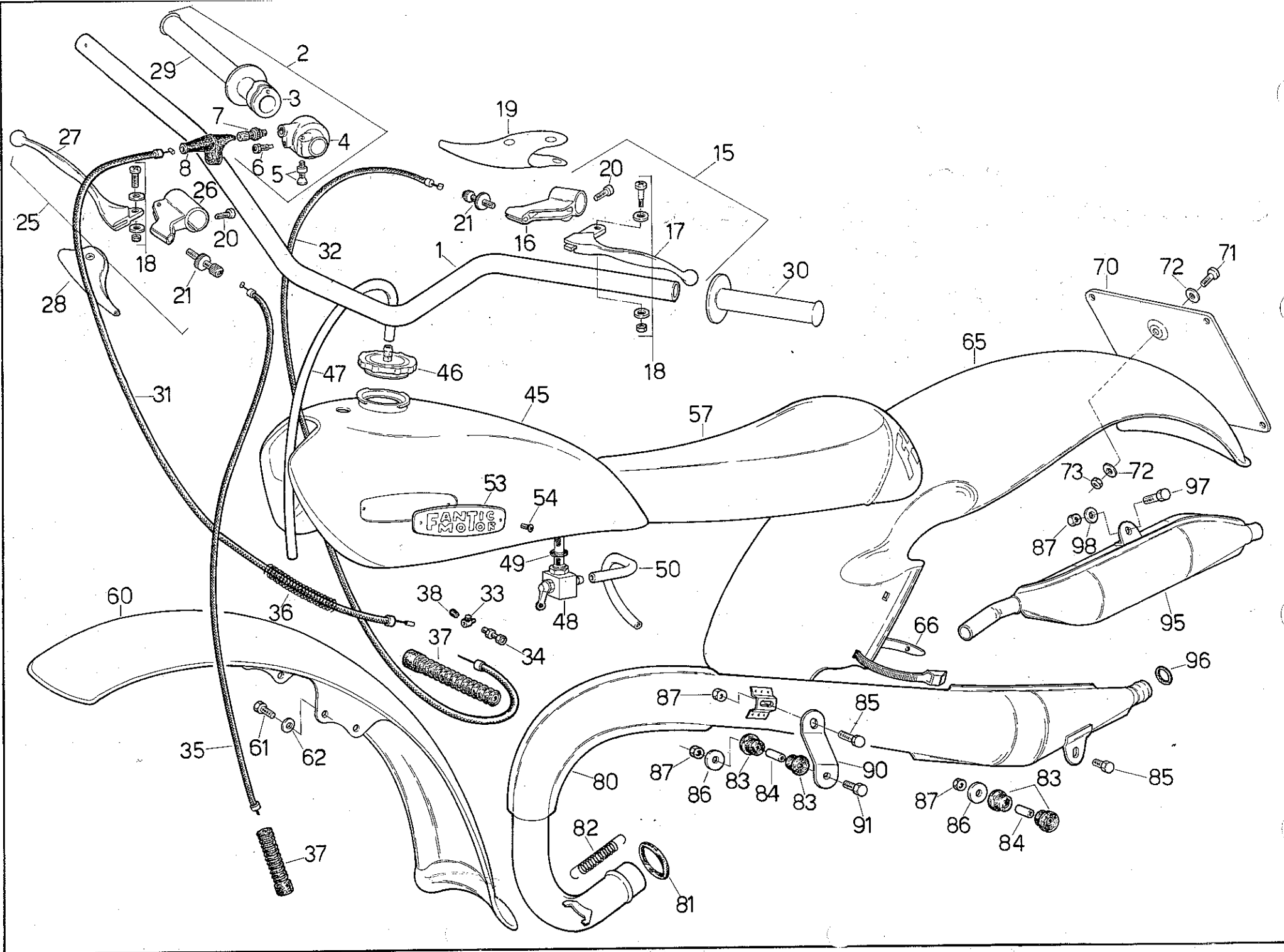
6030
H.



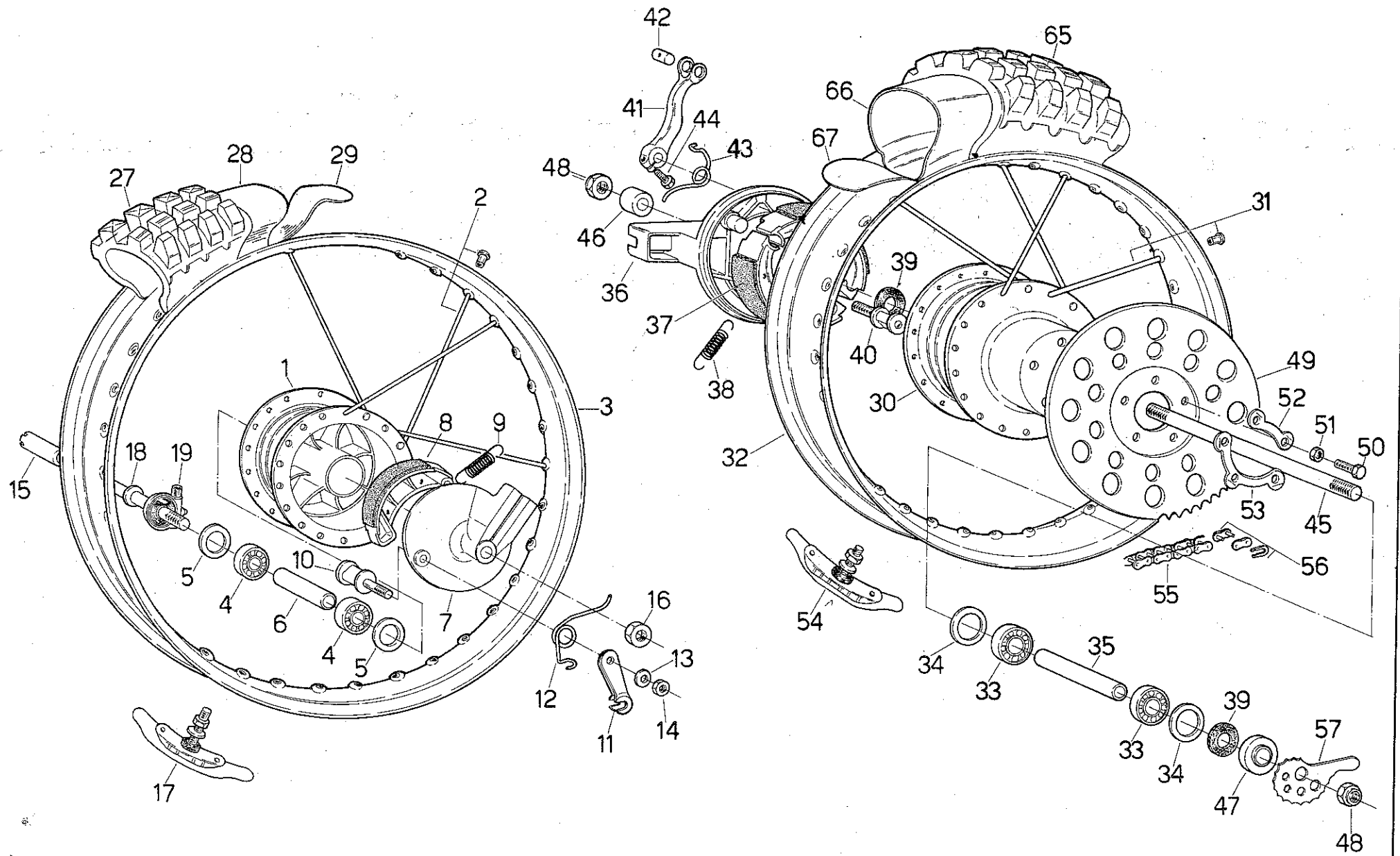
Int.	Fig. N.	CODE N.	DESCRIPTION	Q.ty	Frame N.	
					From	To
	*	250.01.5202	Rod.			
	-	250.01.5201	Rear shock absorbers complet	2	0001460	
		250.01.5200	Rear shock absorbers complet	2	0001001	0001459
	* 51	150.01.5240	Piston rod	2	0001001	
	* 52	150.01.5210	Silentblock complet	4	0001001	
	53	250.01.5270	Spring	2	0001001	
	54	150.01.5250	Spring upper seating	2	0001001	
	55	150.01.5280	Half packing ring	2	0001001	
	56	150.01.5260	Rubber protection	2	0001001	
	57	150.01.5520	Spring adjuster	2	0001001	
	58	250.01.5560	Outer cylinder	2	0001001	
	59	150.01.5290	Stopper rubber	2	0001001	
	60	150.01.5350	Rubber washer	2	0001001	
	* 61	250.01.5360	Cylinder cap	2	0001001	
	* 62	250.01.5480	Dust cover	2	0001001	
	* 63	150.01.5470	Oil seal	2	0001001	
	64	250.01.5390	Plug of damper	2	0001001	
	65	150.01.5400	Spring	2	0001001	
	66	150.01.5420	Segment	2	0001001	
	67	250.01.5410	Piston complet	2	0001001	
	68	957.42.1307	Self locking nut M 7	2	0001001	
	69	250.01.5530	Work cylinder of damper	2	0001001	
	70	190.01.5550	Inlet valve	2	0001001	
	75	915.01.0840	Bolt M 8 x 40	2	0001001	
	76	915.01.0835	Bolt M 8 x 35	2	0001001	
	77	958.01.1108	Plain washer Ø 8	4	0001001	
	78	957.40.1308	Self locking nut M 8	4	0001001	
	-	250.16.6600	Speedometer group complete	1	0001001	
	91	250.16.5600	Speedometer	1	0001001	
	92	250.16.5620	Speedo cable	1	0001001	
	93	250.16.6160	Speedometer rubber box	1	0001001	
	94	250.16.7080	Speedometer rubber box bracket	1	0001001	
	95	250.16.7030	Packing ring	1	0001001	



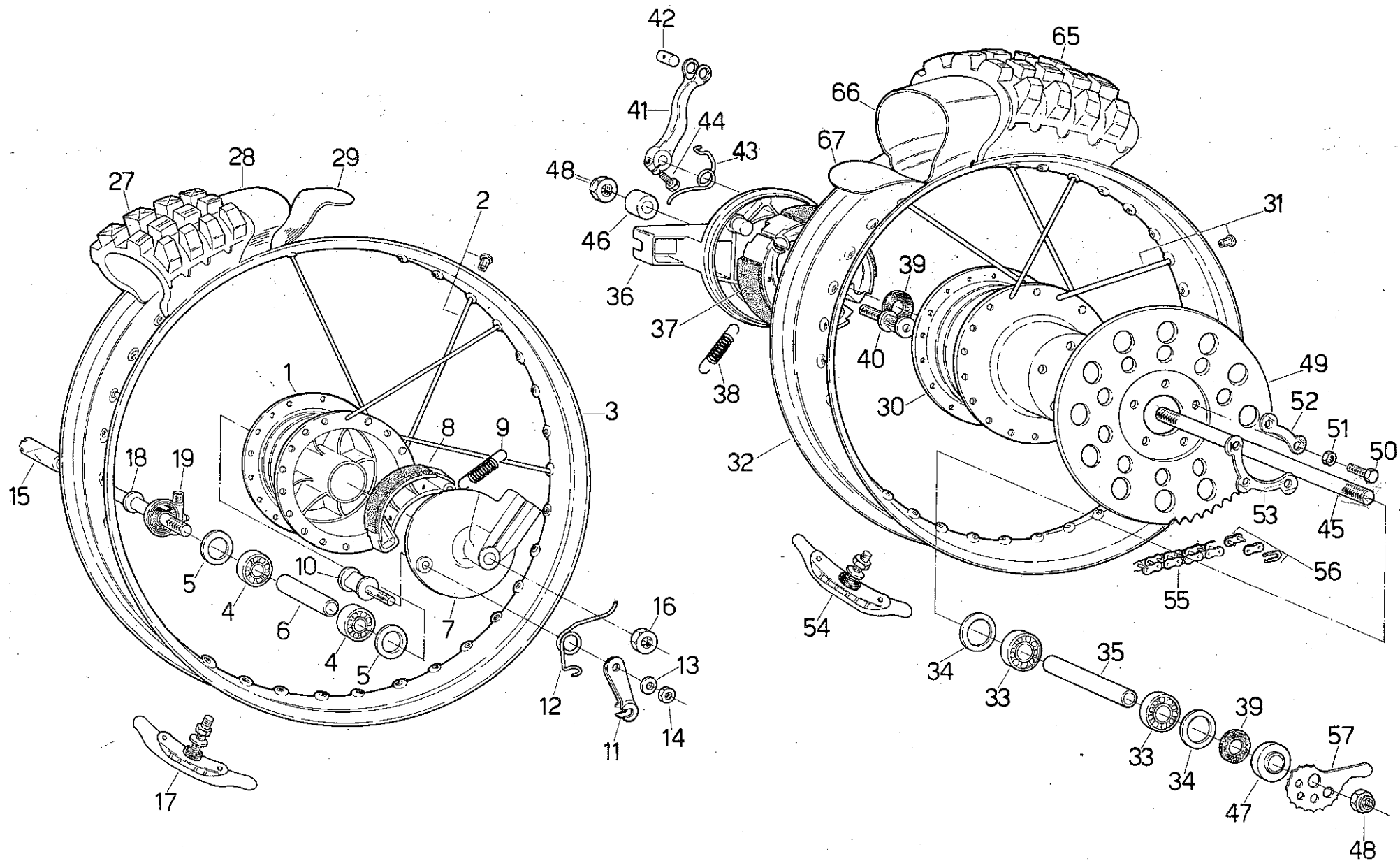
Int.	Fig. N.	CODE N.	DESCRIPTION	Q.ty	Frame N.	
					From	To
	1	250.04.5501	Handlebar	1	0001001	
	x2	250.04.5000	Twist grip assembly	1	0001001	
	x3	250.04.5800	Tube-bare	1	0001001	
	4	250.04.6160	Twist grip body	1	0001001	
	5	250.04.5120	Twist grip bolt complete	1	0001001	
	6	061.04.5020	Stroke adjuster bolt	1	0001001	
	y7	099.04.5730	Cable adjuster	1	0001001	
	x8	250.04.5750	Throttle cable protection	1	0001001	
	15	250.04.5180	Clutch lever assembly	1	0001001	
	x16	250.04.5260	Clutch lever body	1	0001001	
	x17	250.04.5230	Clutch lever	1	0001001	
	x18	250.04.5140	Clutch and brake lever bolt complete	2	0001001	
	x19	191.04.5940	Clutch lever protection	1	0001001	
	20	915.10.0616	Bolt M 6 x 16	2	0001001	
	*21	250.04.5890	Cable adjuster	2	0001001	
	25	250.04.5100	Brake lever assembly	1	0001001	
	x26	250.04.5110	Brake lever body	1	0001001	
	x27	250.04.5130	Brake lever	1	0001001	
	*28	191.04.5930	Brake lever protection	1	0001001	
	29	098.04.5200	R/H grip	1	0001001	
	30	098.04.5210	L/H grip	1	0001001	
	x31	250.04.5300	Throttle cable	1	0001001	
	x32	250.04.5430	Clutch cable	1	0001001	
	33	060.04.5440	Cable clamp-bolt	1	0001001	
	x34	150.07.6120	Cable adjuster	1	0001001	
	x35	250.04.5400	Front brake cable	1	0001001	
	36	150.04.5960	Spiral cable protection	1	0001001	
	37	250.04.6130	Rubber cable protector	2	0001001	
	*38	250.04.6150	Rubber cable protector	1	0001001	
+	45	250.05.5001	Fuel tank	1	0001911	
		250.05.5000	Fuel tank	1	0001001	0001910
+	46	250.05.5010	Fuel tank cap	1	0001911	
x		155.05.5010	Fuel tank cap	1	0001001	0001910
	47	250.05.5200	Tank breath tube	1	0001001	



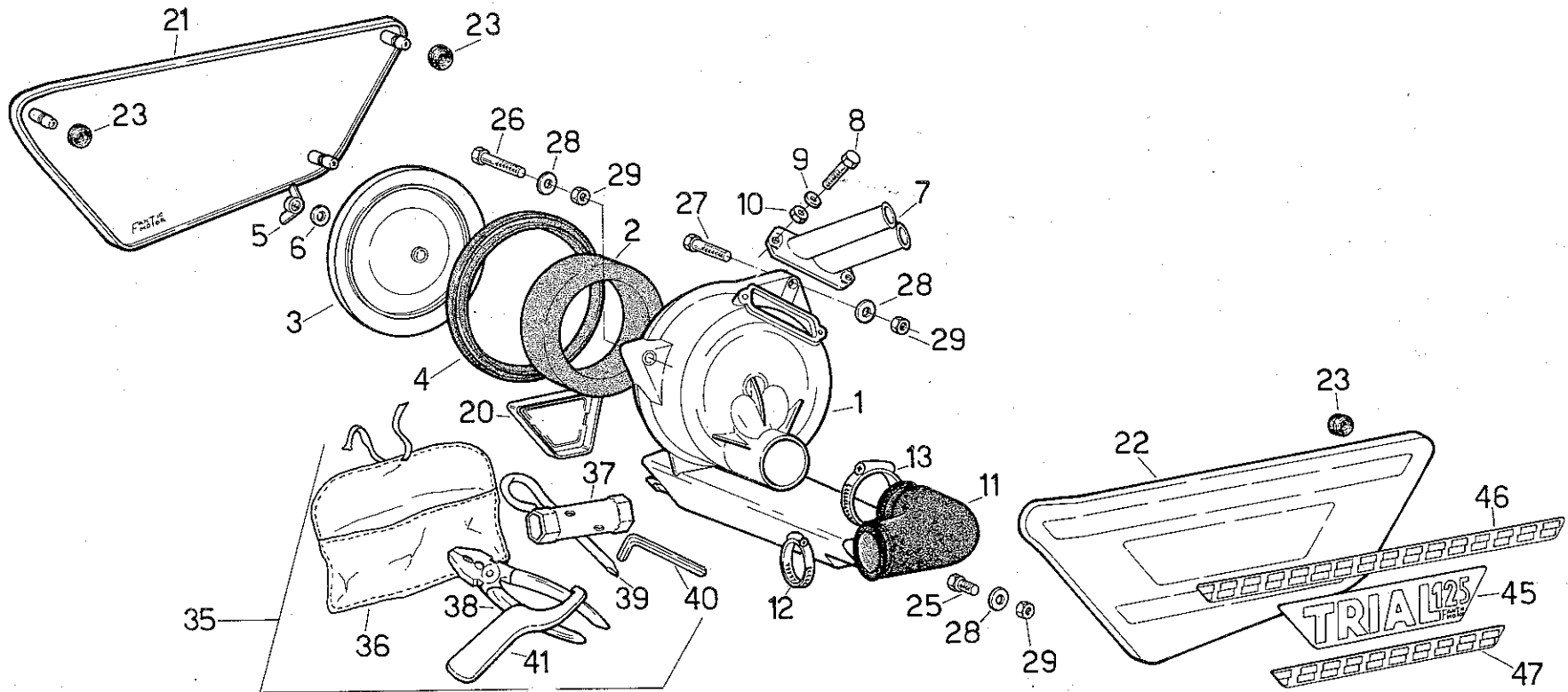
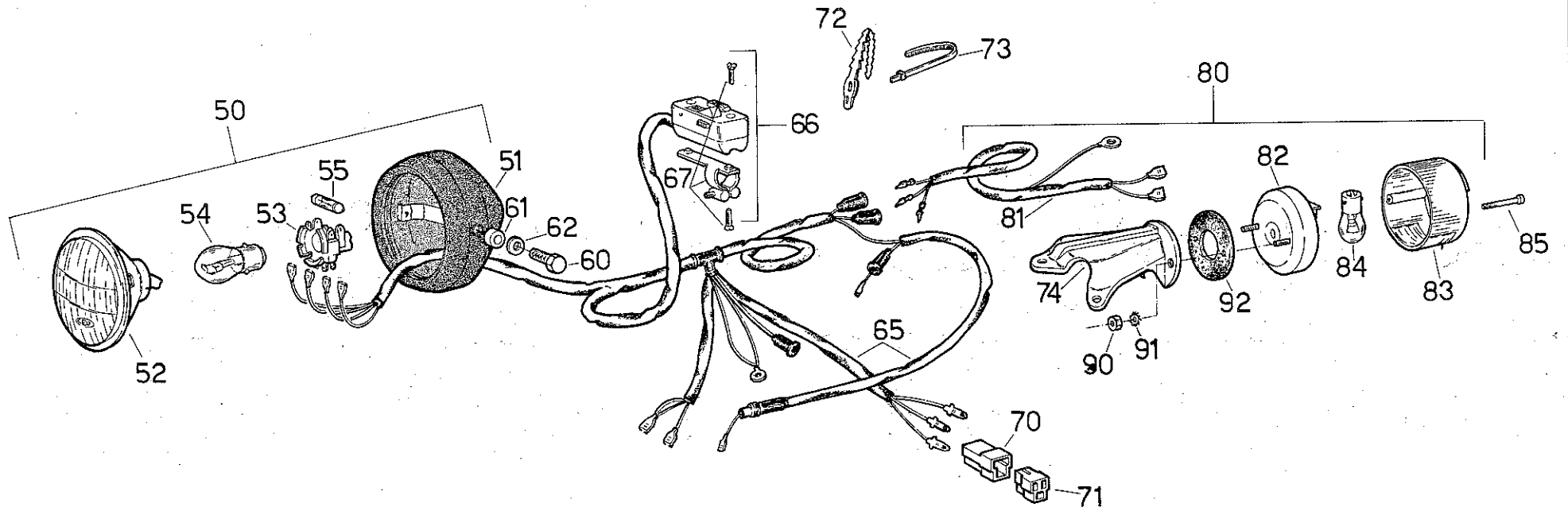
Int.	Fig. N.	CODE N.	DESCRIPTION	Q.ty	From To	
					From	To
	x48	250.05.5050	Fuel tap	1	0001001	
	x49	020.05.5060	Fuel tap gasket	1	0001001	
	50	141.05.5100	Fuel line	1	0001001	
	53	250.17.6080	Plate "FANTIC MOTOR" of fuel tank	2	0001001	
	54	932.42.0305	Bolt M 3 x 5 mm.	4	0001001	
+	57	250.06.5001	Seat	1	0002105	
		250.06.5000	Seat	1	0001001	0002104
				1	0001875	
+	60	250.09.5002	Front mudguard	1	0001001	0001874
		250.09.5001	Front mudguard	4	0001001	
	61	912.03.0618	Front mudguard bolt M 6 x 18 mm.	4	0001001	
	62	958.01.1106	Plain washer Ø 6 x 18 mm.	4	0001001	
	65	250.09.5010	Rear mudguard	1	0001001	
	66	250.09.5040	Rear mudguard clamps	4	0001001	
	70	150.10.5670	Number plate bracket	1	0001001	
	71	912.03.0616	Number plate bracket bolt M 6 x 16 mm.	2	0001001	
	72	958.98.1106	Plain washer Ø 6 x 18 mm.	4	0001001	
	73	957.40.1306	Self locking nut M 6 mm.	2	0001001	
	80	250.13.5050	Silencer	1	0001001	
	x81	250.13.5140	Silencer gasket	1	0001001	
	x82	150.13.5070	Spring	2	0001001	
	x83	120.10.6820	Silentblock	4	0001001	
	84	120.10.6830	Spacer bush	2	0001001	
	85	915.01.0835	Silencer bolt M 8 x 35 mm.	2	0001001	
	86	220.13.5230	Plain washer	2	0001001	
	87	957.40.1308	Self locking nut M 8 mm.	4	0001001	
	90	250.13.5130	Silencer bracket	1	0001001	
	91	915.03.0814	Bolt M 8 x 14 mm.	1	0001001	
	x95	250.13.5100	Terminal silencer	1	0001001	
	x96	210.13.5140	Terminal silencer gasket	1	0001001	
	97	915.03.0818	Terminal silencer bolt M 8 x 18 mm.	1	0001001	
	98	958/01.1108	Plain washer Ø 8 mm.	2	0001001	



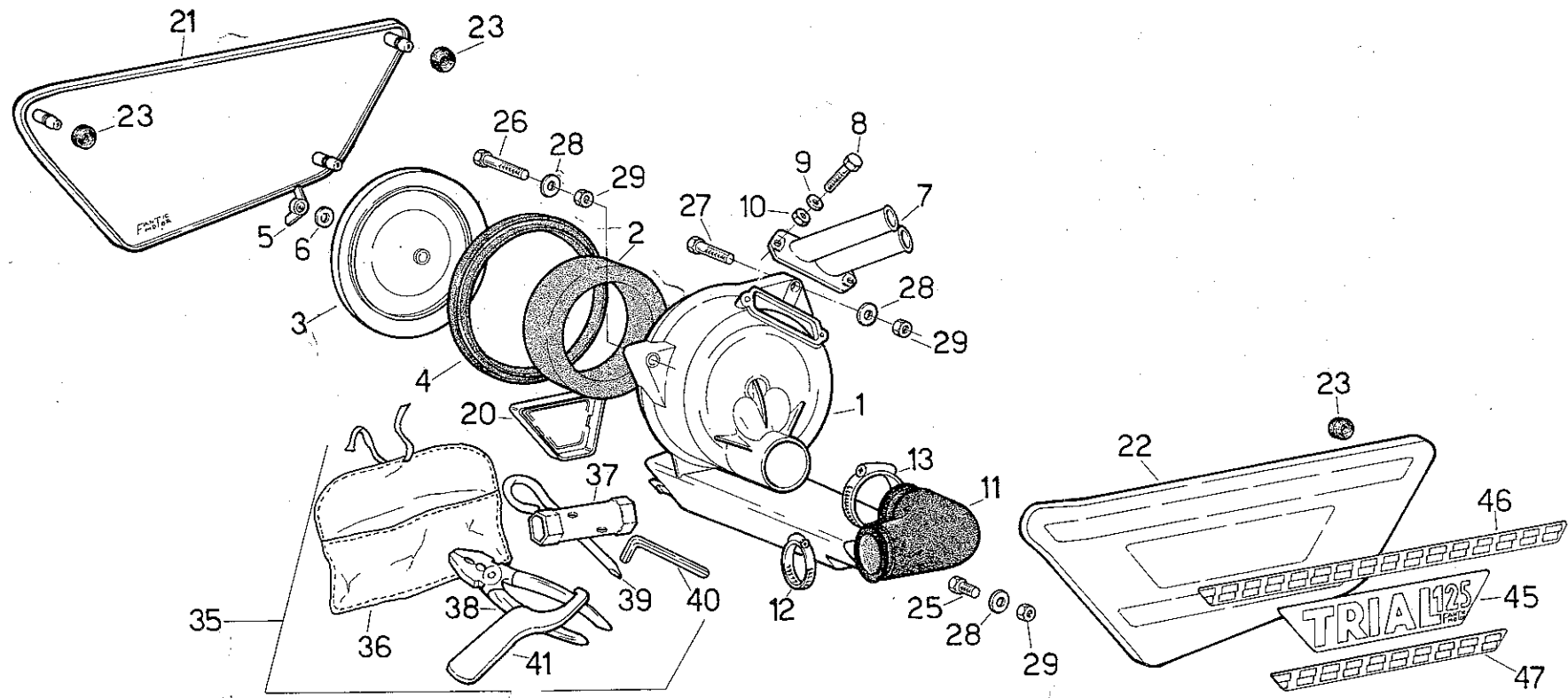
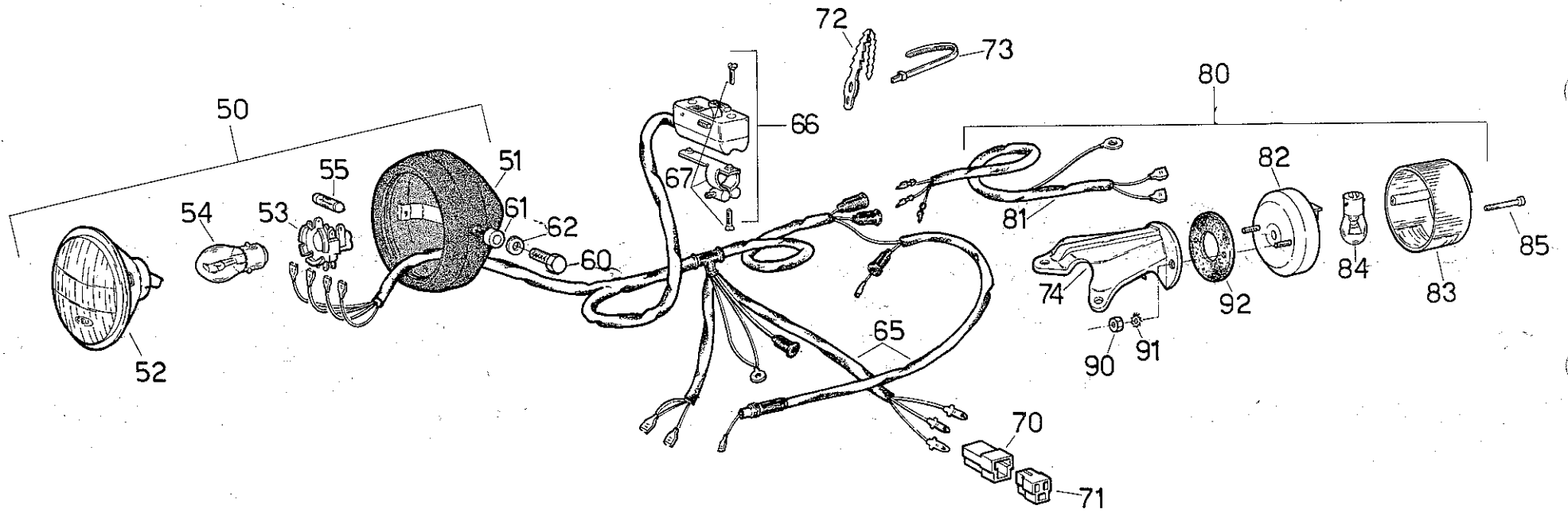
Int.	Fig. N.	CODE N.	DESCRIPTION	Q.ty	Frame No.	
					From	To
	-	250.07.5000	Front wheel complete	1	0001001	
	-	250.07.5060	Front hub complete	1	0001001	
	1	250.07.5040	Front hub bare	1	0001001	
	X2	250.07.5080	Spokes with nipples	36	0001001	
	X3	250.07.5070	Front wheel rim	1	0001001	
	4	030.07.5230	Bearings	2	0001001	
	5	030.07.5240	Dust cover	2	0001001	
	6	090.07.5250	Spacer bush	1	0001001	
	-	250.07.5900	Front brake plate complete	1	0001001	
	7	250.07.5910	Front brake plate bare	1	0001001	
	X8	090.07.5920	Brake shoe	2	0001001	
	X9	090.07.5930	Brake shoe spring	2	0001001	
	10	090.07.5940	Brake cam	1	0001001	
	11	250.07.5950	Brake lever	1	0001001	
	12	090.07.5970	Brake lever return spring	1	0001001	
	13	958.97.1106	Plain washer Ø 6 mm.	1	0001001	
	14	957.01.1406	Nut M 6 mm.	1	0001001	
	X15	250.07.5020	Front wheel axle <i>with nut 090 07 5027</i>	1	0001001	
	16	957.06.1412	Front wheel axle nut M 12 mm.	1	0001001	
	17	250.07.5750	Rim lock	1	0001001	
	18	170.01.5190	Plain washer	1	0001001	
	19	250.16.5610	Speedo drive box	1	0001001	
	27	250.12.3620	Front tyre 2.75 x 21"	1	0001001	
	28	250.12.3630	Inner tube	1	0001001	
	29	090.10.6000	Front rim strip	1	0001001	



Int.	Fig. N.	CODE N.	DESCRIPTION	Q.ty	Frame N.	
					From	To
	-	250.07.5290	Rear wheel complete	1	0001001	
	-	250.07.5300	Rear hub complete	1	0001001	
	30	250.07.5310	Rear hub bare	1	0001001	
	*31	250.07.5160	Spokes with nipples	36	0001001	
	*32	250.07.5150	Rear wheel rim	1	0001001	
	33	130.07.5350	Bearings	2	0001001	
	34	091.07.5240	Dust cover	2	0001001	
	35	250.07.5260	Spacer bush	1	0001001	
	-	250.07.5800	Rear brake plate complete	1	0001001	
	36	250.07.5810	Rear brake plate bare	1	0001001	
	*37	130.07.5840	Brake shoe	2	0001001	
	*38	130.07.5850	Brake shoe spring	2	0001001	
	*39	191.07.5270	Dust cover	2	0001001	
	40	150.07.5940	Brake cam	1	0001001	
	41	150.07.5820	Brake lever	1	0001001	
	42	150.07.5960	Nipples	1	0001001	
	43	131.07.6260	Brake lever return spring	1	0001001	
	44	915.03.0620	Brake lever bolt M 6 x 20 mm.	1	0001001	
	45	250.07.5120	Rear wheel axle <i>ny</i>	1	0001001	
	46	130.07.5140	Spacer bush R/H	1	0001001	
	47	250.07.5130	Spacer bush L/H	1	0001001	
	48	957.43.1314	Rear wheel axle nut	2	0001001	
	*49	250.08.6090	Sprocket Z=60	1	0001001	
	50	915.01.0730	Sprocket bolt M 7 x 30 mm.	5	0001001	
	51	957.01.1407	Sprocket nut M 7 mm.	5	0001001	
	*52	250.07.6440	Washer lock	1	0001001	
	*53	250.07.6450	Washer lock	1	0001001	
	54	160.07.5760	Rim lock	2	0001001	
	55	160.08.6721	Chain 1/2 x 5/16"	1	0001001	
	56	150.08.6360	Connecting link	1	0001001	
	*57	250.08.5101	Chain tensioner	2	0001001	
	65	250.12.3600	Rear tyre 4.00 x 18"	1	0001001	
	66	250.12.3610	Inner tube	1	0001001	
	67	120.10.6021	Rear rim strip	1	0001001	



Int.	Fig. N.	CODE N.	DESCRIPTION	Q.ty	Frame N.	
					From	To
	-	250.10.6800	Group intake assembly			
	1	250.10.6440	Air cleaner body	1	0001001	
	*2	090.10.5900	Filter	1	0001001	
	*3	250.10.6500	Air cleaner body cover	1	0001001	
	4	250.10.6350	Cover gasket	1	0001001	
	5	957.33.1205	Cover nut M 5 mm.	1	0001001	
	6	958.97.1105	Plain washer Ø 5 mm.	1	0001001	
	7	250.10.6450	Intake cap	1	0001001	
	8	912.03.0530	Intake cap bolt M 5 x 30 mm.	1	0001001	
	9	958.97.1105	Plain washer Ø 5 mm.	2	0001001	
	10	957.40.1305	Self locking nut M 5 mm.	4	0001001	
	*11	250.10.6530	Air cleaner body manifold	2	0001001	
	12	160.10.6570	Manifold clamp	1	0001001	
	13	150.10.6571	Manifold clamp	1	0001001	
	20	250.06.5050	Toolbox cover	1	0001001	
	21	250.10.6480	Lateral cover R/H	1	0001001	
	22	250.10.6490	Lateral cover L/H	1	0001001	
	23	160.10.6880	Lateral cover rubber	1	0001001	
	25	915.10.0620	Bolt M 6 x 20 mm.	6	0001001	
	26	912.03.0630	Bolt M 6 x 30 mm.	1	0001001	
	27	912.03.0625	Bolt M 6 x 25 mm.	1	0001001	
	28	958.01.1106	Plain washer Ø 6 mm.	1	0001001	
	29	957.42.1306	Self locking nut M 6 mm.	3	0001001	
	35	250.06.5580	Toolbag complete	3	0001001	
	36	090.06.5351	Toolbag bare	1	0001001	
	37	250.06.5150	Box wrench 21/22 mm.	1	0001001	
	38	155.06.5310	Pliers	1	0001001	
	39	155.06.5390	Screw driver	1	0001001	
	40	150.06.5190	Allen head wrench mm. 6	1	0001001	
	41	150.06.5120	Wrench hook	1	0001001	
	45	250.17.6020	Decal "TRIAL"	1	0001001	
	46	250.17.6480	Upper decal cover	2	0001001	
	47	250.17.6490	Lower decal cover	2	0001001	



Int.	Fig. N.	CODE N.	DESCRIPTION	Q.ty	Frame N.	
					From	To
	50	250.11.6001	Head light complete with lamp 6V 35/35W and 6V 5W	1	0001001	
	51	155.11.5100	Headlight body	1	0001001	
	52	155.11.5040	Sealed beam complet with glass	1	0001001	
	53	155.11.5090	Bulb holder	1	0001001	
	53	250.11.5090	Bulb holder with diode	1	0001001	
	54	250.11.5070	Front bulb 6V 35/35W	1	0001001	
	55	098.11.6980	Front bulb 6V 5W	1	0001001	
	60	912.40.0630	Headlight bolt M 6 x 30 mm.	1	0001001	
	61	160.11.5140	Spacer bush	2	0001001	
	62	958.01.1106	Plain washer Ø 6 mm.	2	0001001	
	65	250.11.5600	Wiring harness complete with light switch	2	0001001	
	66	155.11.5500	Light switch complete	1	0001001	
	67	155.11.5530	Light switch clamp with bolt	1	0001001	
	70	123.11.5620	Wire connector	1	0001001	
	71	123.11.5630	Wire connector	1	0001001	
	72	050.11.6930	Clamps	1	0001001	
	73	099.11.6930	Clamps	3	0001001	
	74	250.11.5400	Tail light bracket	10	0001001	
	80	250.11.6691	Tail light complete with lamp 6V 5/21W	1	0001001	
	81	250.11.5360	Tail light cable	1	0001001	
	82	133.11.6700	Tail lamp body	1	0001001	
	83	133.11.6330	Tail lamp glass	1	0001001	
	84	060.11.5070	Rear lamp 6V 5/21W	1	0001001	
	85	133.11.6720	Glass bolt	1	0001001	
	90	957.01.1405	Tail light nut M 5 mm.	2	0001001	
	91	958.30.5405	Washer Ø 5 mm.	2	0001001	
	92	160.11.5410	Rubber washer	2	0001001	
				1	0001001	

